

SPECIFICATIONS

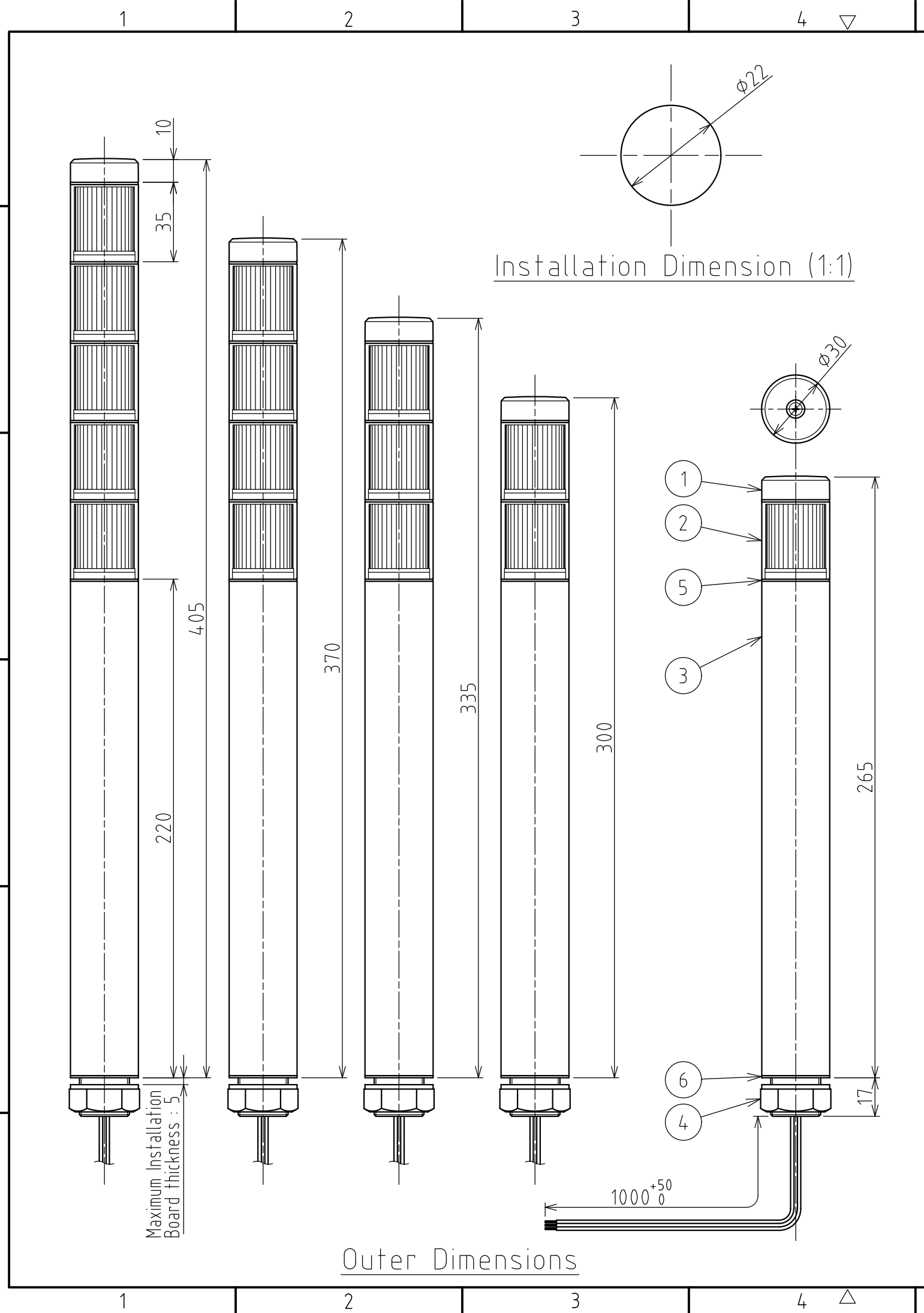
[General Specifications]

Model	5 tiers	MP-502
	4 tiers	MP-402
	3 tiers	MP-302
	2 tiers	MP-202
	1 tier	MP-102
UL Registered Model		MP_02
Rated Voltage		24V AC/DC (50/60Hz)
Operating Voltage Range		Rated Voltage $\pm 10\%$
Signal Wire Current	Typ.	Per Unit
		Red:29.0mA, Amber:29.5mA, Green:17.1mA, Blue:17.1mA, White:17.1mA
	Max.	Per Unit
		Red:32.7mA, Amber:34.5mA, Green:21.4mA, Blue:21.4mA, White:21.4mA
Operating Ambient Temperature		-30°C to +60°C
Operating Ambient Humidity		Less than 90% (No condensation)
Mounting Location		Indoors
Mounting Direction		Upright
Protection Rating		IP65 (IEC 60529)
Vibration Resistance		19.6m/s ²
Insulation Resistance		More than 1M Ω at 500VDC between the terminals and the chassis
Withstand Voltage		500VAC applied for 1min between terminals and chassis without breaking insulation
Luminous Intensity		Red:550mcd, Amber:650mcd, Green:1900mcd, Blue:700mcd, White:1600mcd
Mass (Tolerance $\pm 10\%$)		1 tier:0.21kg, 2 tiers:0.23kg, 3 tiers:0.25kg, 4 tiers:0.27kg, 5 tiers:0.29kg
Outer Dimensions		Refer to the Outer Dimension Drawing
Conformity Standards		EMC Directive (EN 61000-6-4, EN 61000-6-2) RoHS Directive (EN IEC 63000) UL 508, CSA-C22.2 No. 14
Remarks		Conforms to the CE Requirements Conforms to the UKCA Requirements UL Recognized Component (File No.E215660)

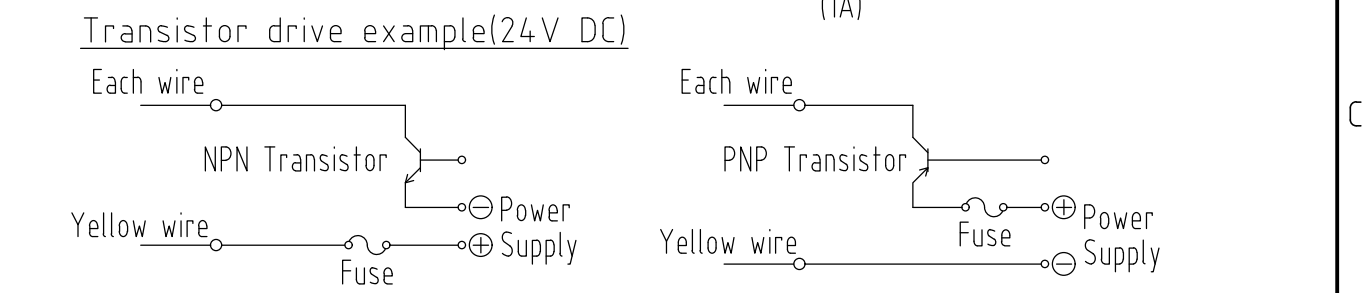
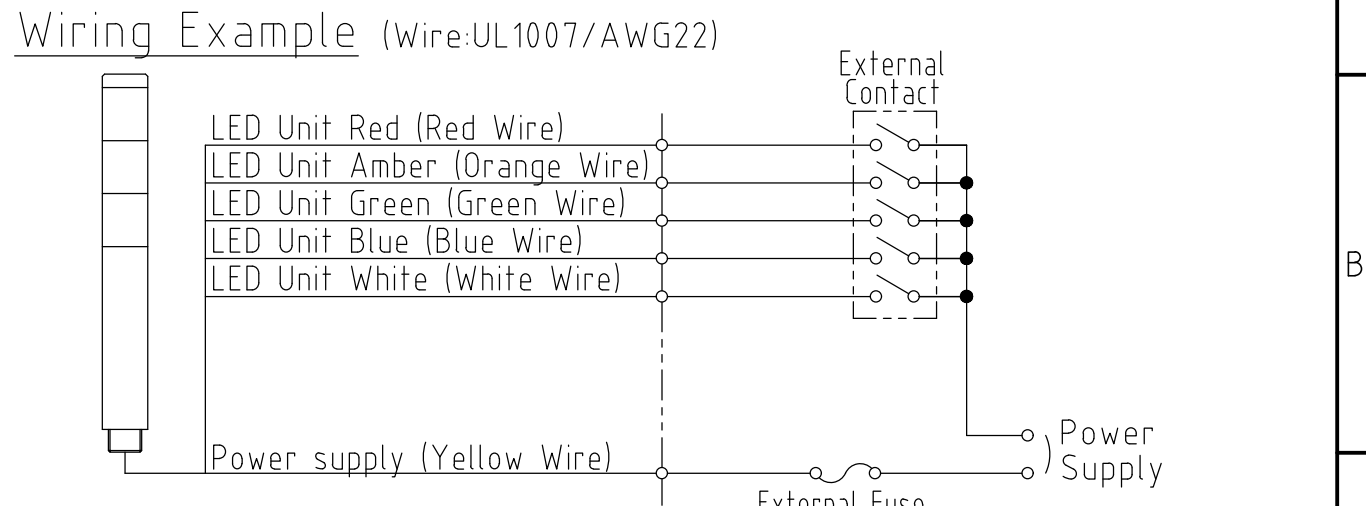
Model Number Configuration

MP — 02 —

- | | |
|---|---|
| <p>Tier</p> <p>1 : 1 tier</p> <p>2 : 2 tiers</p> <p>3 : 3 tiers</p> <p>4 : 4 tiers</p> <p>5 : 5 tiers</p> | <p>Luminous Color</p> <p>R : Red</p> <p>Y : Amber</p> <p>G : Green</p> <p>B : Blue</p> <p>C : White</p> |
|---|---|



指定公差 General tolerance		角度公差 Angular tolerance ±[°]		寸法公差 Dimensional tolerance ±[mm]					図番 Drawing No.		ページ Page	
短辺長さ Length of short side	~10	~50	~100	6	30	120	300	1000	改訂 Rev.		年月日 Date	
	10	50	100	精 f	0.05	0.1	0.2	0.4	0.6	改訂履歴 Revisions		2/2
	精 f	1	0.5	0.3	0.1	中 m	0.1	0.3	0.5	0.7		
粗 v	3	1.5	1	0.5	粗 c	0.3	0.5	1	1.2			



- Note
- When wiring is completed, insulate the end of each unused wire with insulation tape.
 - Use a "Class 2 Circuit" for power supply source.
 - Use the fusefolder authorized by UL standard.
 - Use the fuse conforming to the rated current of the machine which the product was installed on.
(Example : Class J type fuse)
 - Fasten nut with the torque of $3.5 \pm 0.5 \cdot \text{N} \cdot \text{m}$.

6	Waterproof Sheet	1	CR, Black
5	O Ring	n+1	Si, Gray
4	Nut	1	M22, P=1.5
3	Body	1	ABS, Silver coating
2	LED Unit	n	Lens:AS/Reflector:ABS
1	Head Cover	1	ABS, Silver coating
番号 No.	部品名 Part Name	数量 Qty.	記事 Remarks

機種 Model	MP-502	特注No. S.P.No.	-	図名 Name	Outer Dimensions Drawing
品目コード Part No.	-	尺度 Scale	1:2	三角法 3rd Angle P.	単位 Unit mm
				株式会社 PATLITE Corporation	