

|                         |
|-------------------------|
| <h1>SPECIFICATIONS</h1> |
|-------------------------|

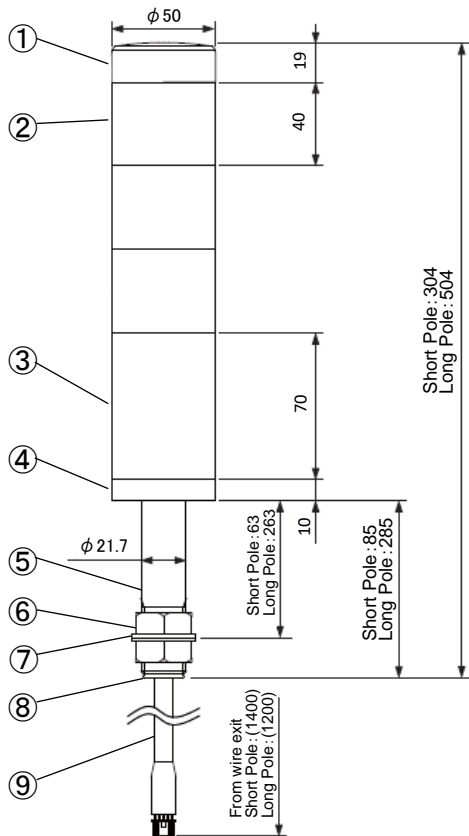
[General Specifications]

|                                 |        |  |  |        |        |
|---------------------------------|--------|--|--|--------|--------|
| Product Name                    |        | Manual Control Signal Tower  |  |        |        |
| Model                           |        | HSST-3M2N-RYG+FB278  |  |        |        |
| Rated Voltage                   |        | AC Adaptor input : 100~240VAC (50/60Hz) Output : 24VDC   |  |        |        |
| Operating Voltage Range         |        | Rated Voltage $\pm 10\%$   |  |        |        |
| Rated Power Consumption         | Max.   | When all 3 tiers are on  |  |        |        |
|                                 |        | 4W   |  |        |        |
| Operating Ambient Temperature   |        | 0°C ~ +40°C  |  |        |        |
| Operating Ambient Humidity      |        | Less than 90% RH (No condensation)   |  |        |        |
| Mounting Location               |        | Indoor Only  |  |        |        |
| Mounting Direction              |        | Upright  |  |        |        |
| Protection Rating               |        | Switch Box : IP20 (IEC 60529)  |  |        |        |
|                                 |        | Signal Tower : IP54 (IEC 60529)  |  |        |        |
| Environmental Condition         |        | Upright  |  |        |        |
| Insulation Resistance           |        | More than 5M $\Omega$ at 500VDC between live part and non-current carrying metallic part   |  |        |        |
| Withstand Voltage               |        | 1500VAC applied for 1min between live part and non-current carrying metallic part without breaking insulation  |  |        |        |
| Mass<br>(Tolerance $\pm 10\%$ ) |        | Signal Tower (Short Pole)  |  | 0.36kg |        |
|                                 |        | Signal Tower (Long Pole)   |  | 0.47kg |        |
|                                 |        | Bracket  |  | 0.33kg |        |
|                                 |        | Switch Box   |  | 0.07kg |        |
|                                 |        | AC Adaptor   |  | 0.13kg |        |
|                                 |        | AC Plug  |  | UL     | 0.01kg |
|                                 |        |  |  | CCC    | 0.01kg |
|                                 |        |  |  | VDE    | 0.02kg |
| KC                              | 0.02kg |  |  |        |        |
| UK                              | 0.02kg |  |  |        |        |
| Fitting Plate, Tightening Screw |        | 0.05kg   |  |        |        |
| Outer Dimensions                |        | Refer to the 2. Outer Dimension Drawing  |  |        |        |
| Conformity Standards            |        | RoHS Directive   | RoHS Directive (EN IEC 63000)                        |        |        |
|                                 |        | FCC  | FCC Part 15 SubpartB Class A                         |        |        |
|                                 |        | UL   | UL 48, CSA C22.2 NO.207                              |        |        |
|                                 |        | EMC Directive  | EN61000-6-4, EN61000-6-2<br>EN61000-3-2, EN61000-3-3 |        |        |
| Remarks                         |        | UL Listed (File No.E310210)  |  |        |        |
|                                 |        | <p>Due to the characteristics of the LED elements, a variation in difference of the color tone and brightness of every product may occur</p> <p>Conforms to the CE Requirements</p> <p>Conforms to the UKCA Requirements</p> |  |        |        |

[2.Outer Dimension Drawing]

(Unit: mm)

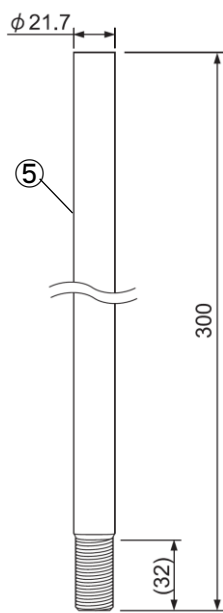
● Signal Tower



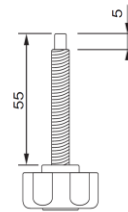
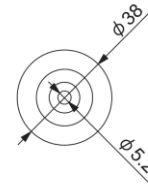
• Cable: UL2464(φ5.2)

| Number | Name              | Material | UL Flammability |
|--------|-------------------|----------|-----------------|
| 1      | Head Cover        | PC       | V-2             |
| 2      | Globe             | PC       | V-2             |
| 3      | Body              | PC       | V-2             |
| 4      | Pole Bracket      | PC       | V-1             |
| 5      | Pole (Short/Long) | AL       | -               |
| 6      | Hex Nut           | SUM      | -               |
| 7      | Washer            | SUM      | -               |
| 8      | Rubber Bushing    | EPR      | -               |
| 9      | Cable             | PVC      | -               |

● Long Pole



● Fitting Plate

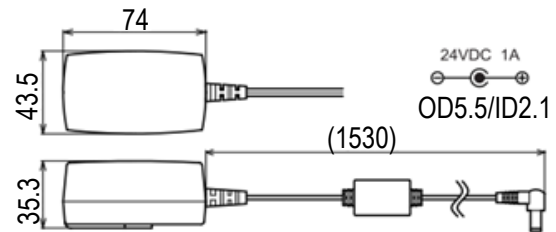


**Accessory**

Tapping Screw  
3X18  
  
2pcs.

Double-sided Tape  
t=2.0  
  
60 x 60  
1 pc.

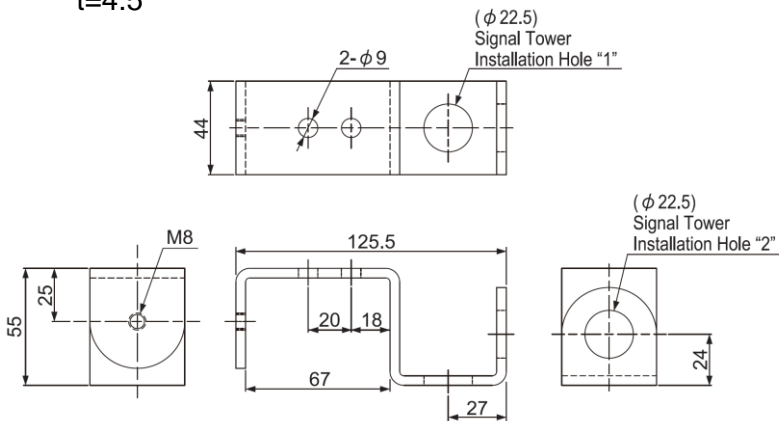
● AC Adaptor



Accessories (AC Plug)

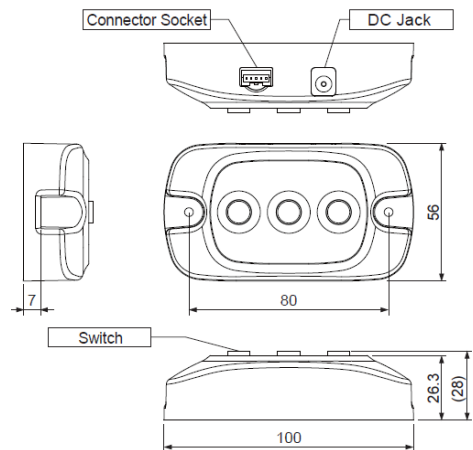
● Bracket

t=4.5



| Name    | Material |
|---------|----------|
| Bracket | SPHC-P   |

● Switch Box

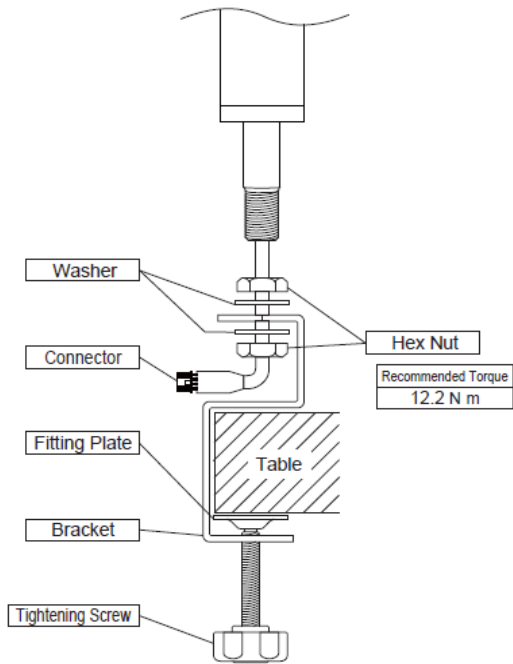


| Name              | Material | UL Flammability |
|-------------------|----------|-----------------|
| Case (Switch Box) | PC       | V-2             |

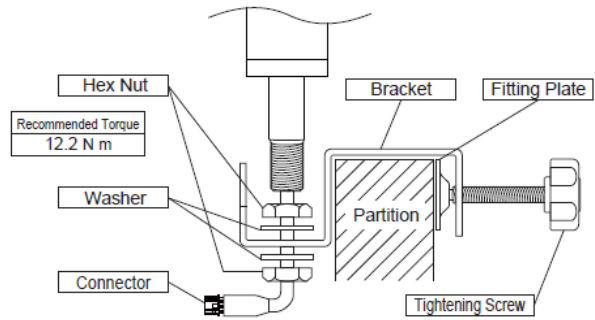
### [3.Mounting]

#### 3.1 Product Installation

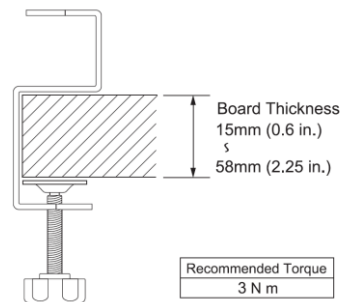
##### 3.1.1 Table Installation



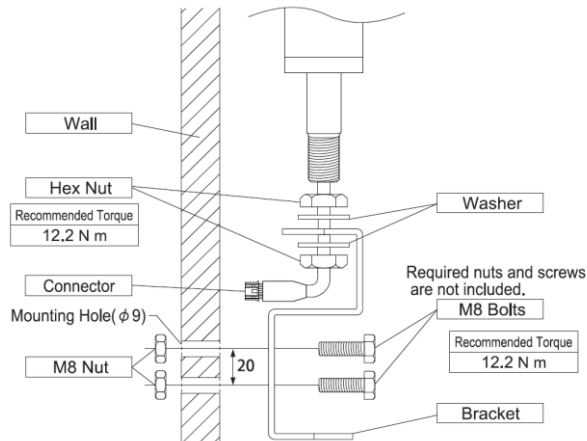
##### 3.1.2 Partition Installation



##### ※Allowable Board Thickness (For installation):



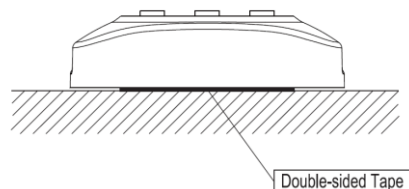
##### 3.1.3 Wall-mount Installation



#### 3.2 Switch Box Installation

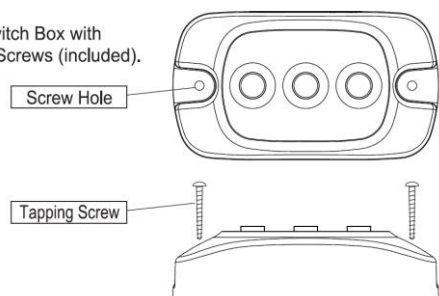
##### 3.2.1 Double-sided Tape Installation

Install the Switch Box by cutting and pasting the Double-sided Tape (included).



##### 3.2.2 Tapping-screw Installation

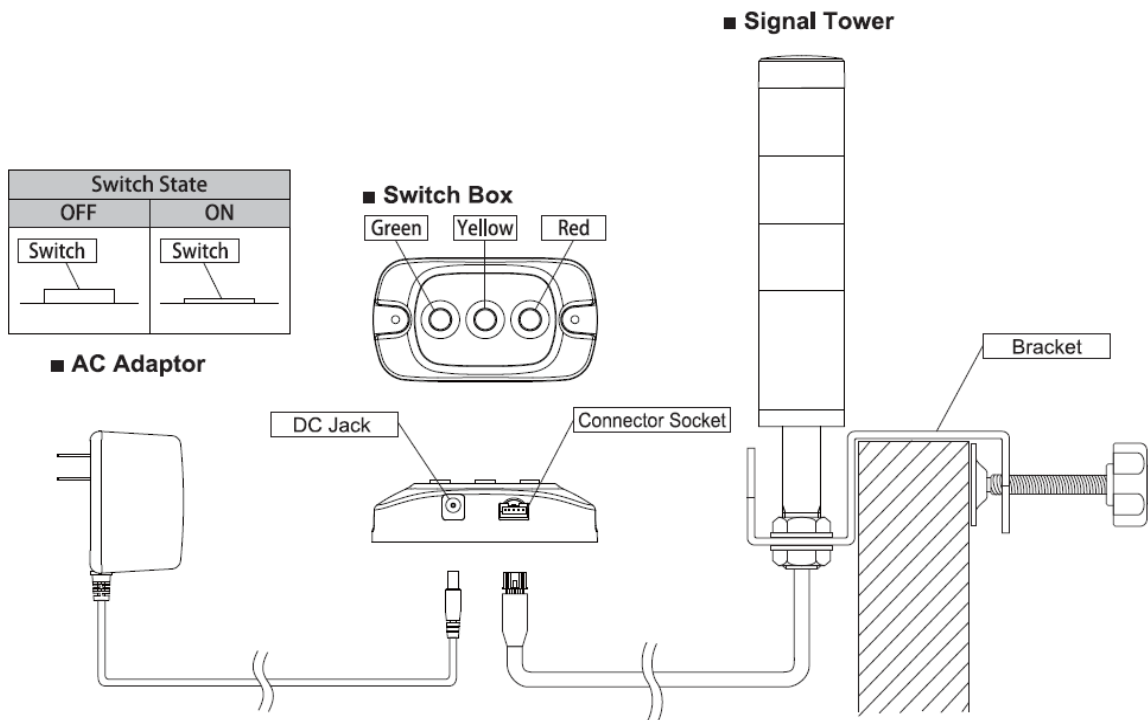
Install the Switch Box with the Tapping Screws (included).



#### [4. Wiring/Operation]

##### 4.1 Wiring and Operation

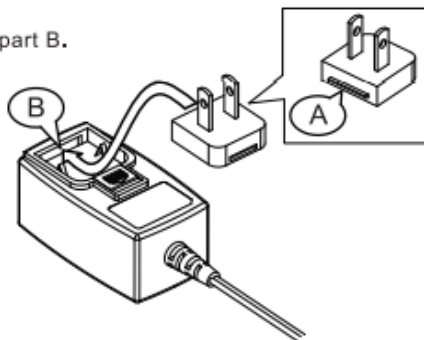
- After connecting the connector cable of this product into the connector socket located on the side of the Switch Box, then plugging the DC Jack into the DC Plug, insert the AC Adaptor into an AC (Range from 100VAC to 240VAC) outlet. Each time the switch is pressed, the corresponding Signal Tower LED Unit switches alternately between lit and unlit modes.



##### AC Adaptor

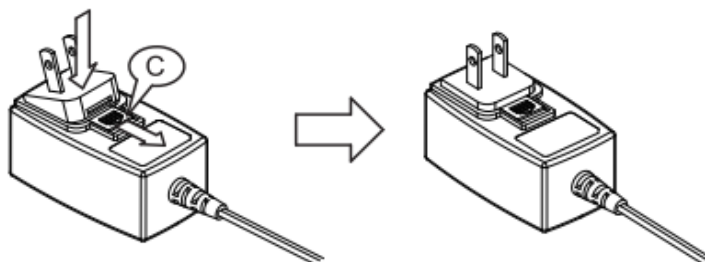
###### STEP1:

Insert part A into part B.



###### STEP2:

Be sure to push in the AC plug from the top, while pulling section C downward.



###### STEP3:

Insert the DC jack into the product to be powered.

###### STEP4:

Insert the AC plug portion into the appropriate outlet to supply power to the product.