

<h1>SPECIFICATIONS</h1>

[General Specifications]

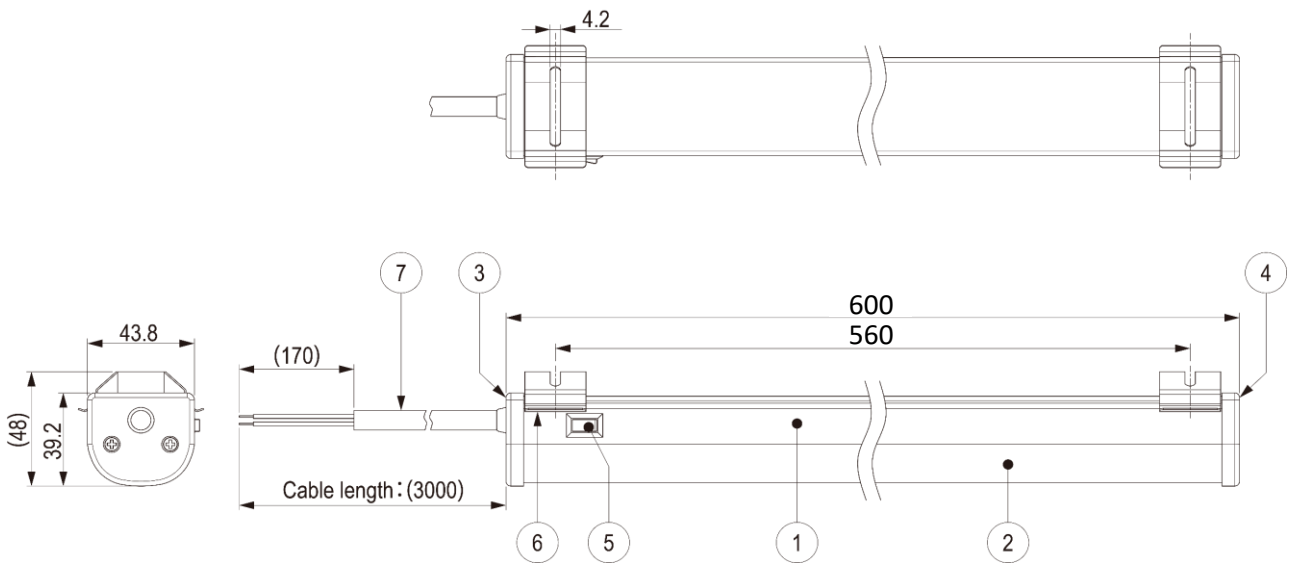
Product Name	LED Work Light
Model	CWF6S-24-CD
Rated Voltage	24V DC
Operating Voltage Range	Rated Voltage $\pm 10\%$
Rated Power Consumption	Max. 10W
Luminous Color	Daylight
Color Temperature	Typ. 5700 K
Total Luminous Flux	Typ. 1000 lm
Illuminance (1m , Center)	Typ. 320 lx
Operating Ambient Temperature	-25 °C to +60 °C
Operating Ambient Humidity	Less than 90% (No condensation)
Mounting Location	Indoor
Mounting Direction	All Directions
Protection Rating	IP20
Environmental Condition	All Directions
Insulation Resistance	More than 5M Ω at 500VDC between live part and non-current carrying metallic part
Withstand Voltage	500VAC applied for 1min between live part and non-current carrying metallic part without breaking insulation
Mass (Tolerance $\pm 10\%$)	570 g
Outer Dimensions	Refer to the Outer Dimension Drawing
Conformity Standards	UL 2108 , CSA C22.2 No. 250.0 EMC Directive (EN 61000-6-4, EN 61000-6-2) FCC Part 15 Subpart B Class A
Remarks	Specifications and dimensions may change without prior notice for improvements, etc. Due to the characteristics of the LED, color temperature, brightness and hue will differ for every LED and every product.

[Model Number Configuration]

Model		Rated Voltage	Luminous Color
CWF	6 S -	24 -	CD
Length		Rated Voltage	
6 600mm		24 24V DC	
		Luminous Color	
		CD Daylight	

[Outer Dimension Drawing]

[Unit : mm]



Number	Name	Material etc
1	Frame	AL
2	Cover	PC
3	Cap A	PC
4	Cap B	PC
5	Switch	-
6	Bracket	Spring Steel
7	Cable	UL SJT

[Wiring Diagram]

