

| | | |
|----------------|------|-------|
| Drawing No. | Rev. | Page |
| CLN-24A-PT-W18 | C | 1 / 2 |

| |
|-------------------------|
| <h1>SPECIFICATIONS</h1> |
|-------------------------|

[General Specifications]

| | | |
|--------------------------------------------|---------------------------------------------------------------------------------------------------------------------------------------------------------------------------------------------------------------------------------------------------------------------------------------------------------------------------------------------------------------------------------------------------------------------------------------------------------|--------|
| Product Name | LED Work Light | |
| Model | CLN-24A-CD-PT | |
| Luminous Color | Daylight | |
| Color Temperature (typ.) | 6500 K | |
| Illuminance (typ.) (Center , at 24V DC) | 1.0m | 820 lx |
| | 2.0m | 200 lx |
| Total Luminous Flux (typ.) | 550 lm | |
| Rated Voltage | 24V DC (Polarized) | |
| Operating Voltage Range | 24V DC $\pm 10\%$ | |
| Rated Current Consumption | 174 mA $\pm 10\%$ | |
| Rated Power Consumption | 4.2 W | |
| Operating Ambient Temperature | -40°C to +60°C | |
| Operating Ambient Humidity | Less than 90% (No condensation) | |
| Mounting Location | Indoor | |
| Mounting Direction | All Directions | |
| Protection Rating | IP66G/67G (JIS C0920) / 69K (DIN 40050 part9) | |
| Environmental Condition | Cable Connector not included | |
| Vibration Resistance | 30Hz Total amplituded 0.3mmp-p Back and Forth, Up and Down, Left and Right for 2hrs. Each Total amplituded 0.3mmp-p(10 to 57Hz) Acceleration 19.6m/s ² (57 to 150Hz) (JIS C60068-2-6) | |
| Insulation Resistance | More than 5M Ω at 500VDC between live part and non-current carrying metallic part | |
| Withstand Voltage | 500V AC applied for 1min between live part and non-current carrying metallic part without breaking insulation | |
| Mass (Tolerance $\pm 10\%$) | 460g | |
| Outer Dimensions | Refer to the Outer Dimension Drawing | |
| Conformity Standards | UL 2108, CSA-C22.2 No. 250.0 EMC Directive (EN IEC 55015, EN 61000-6-2) RoHS Directive (EN IEC 63000) | |
| Remarks | <ul style="list-style-type: none"> • Conforms to the CE requirements • UL Listed (File No.E306141) • Specifications and dimensions may change without prior notice for improvements, etc. • Due to the characteristics of the LED, color temperature, brightness and hue will differ for every LED and every product. • This product's illuminance may be affected when used in airtight conditions. | |
| | | |

1

2

3

4

5

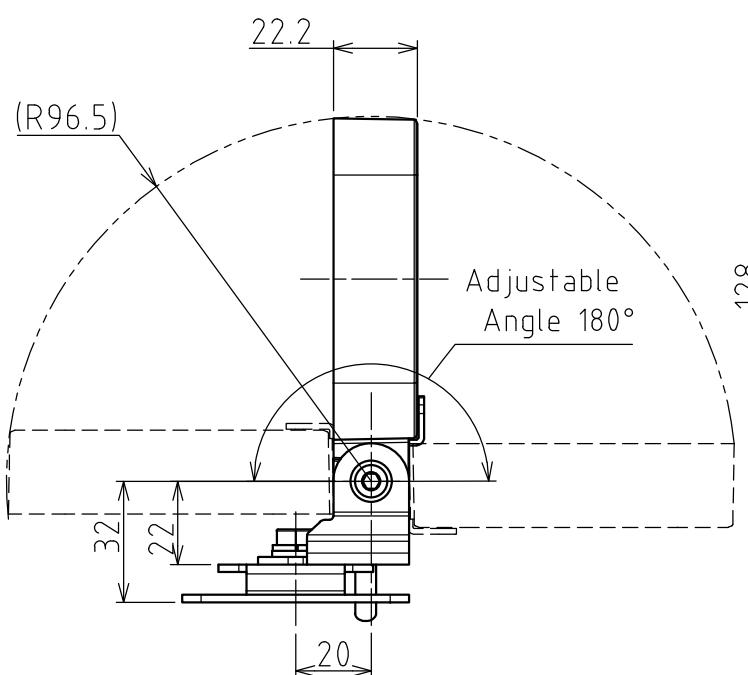
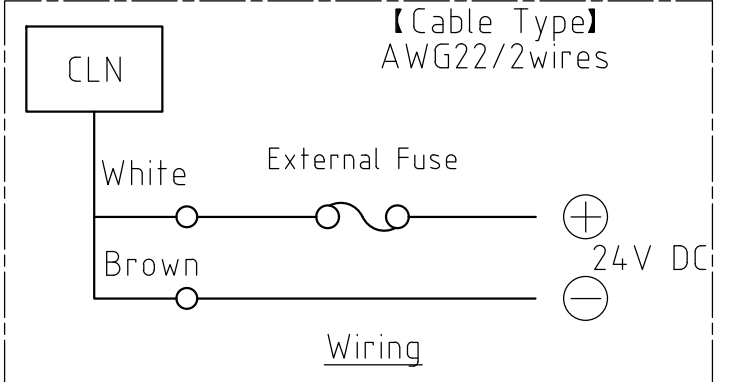
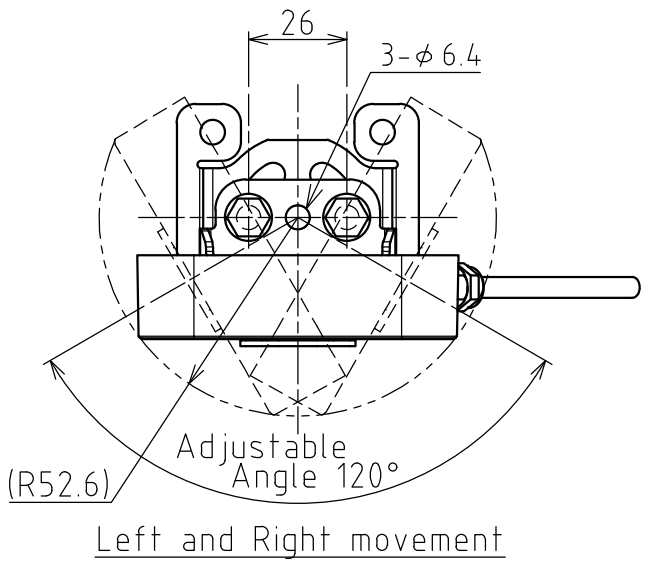
6

7

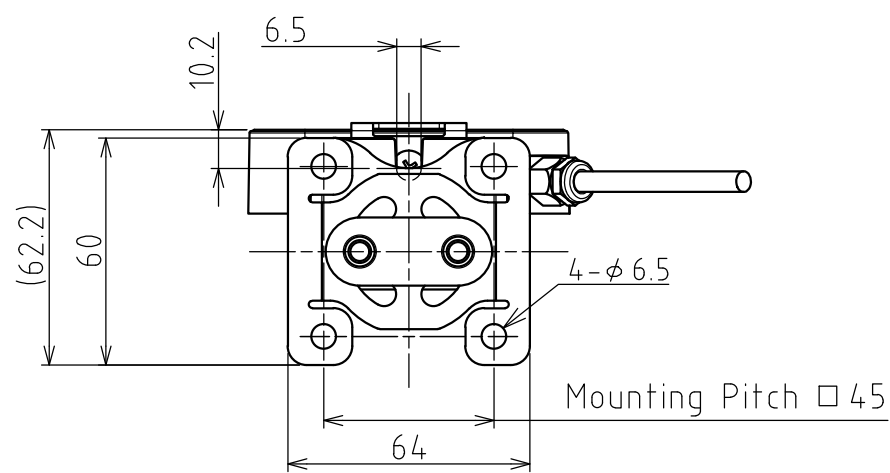
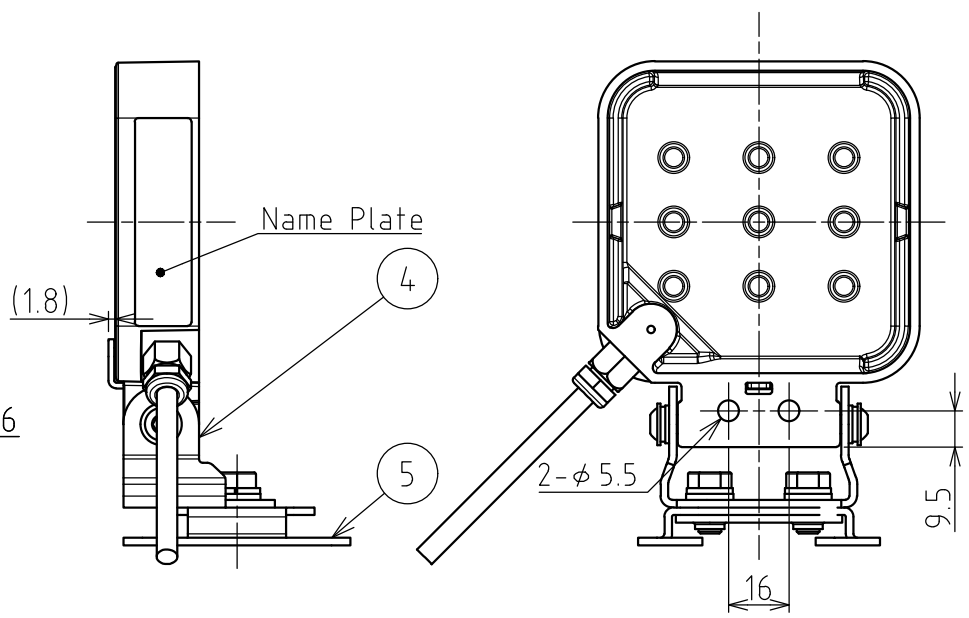
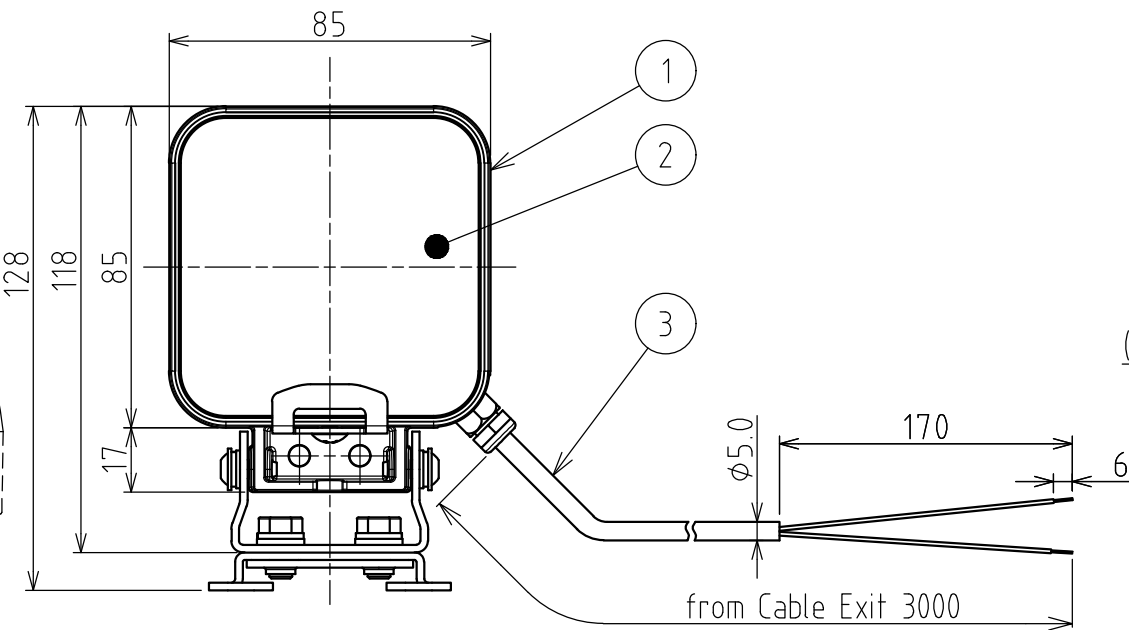
8

| | | | | | | | | | | | |
|----------------------------------|-------------------------------------|---|------|------------|-----|-----|-----|------|-----|-----|---|
| 指定 公差 General Tolerance | 角度公差 ±[°] | | | 寸法公差 ±[mm] | | | | | | | |
| | 短辺 長さ Length of short side | ~ | ~100 | 6 | 30 | 120 | 300 | 1000 | | | |
| | 精 f | 1 | 0.5 | 0.3 | 0.1 | 中 m | 0.1 | 0.3 | 0.5 | 0.7 | 1 |
| | 粗 v | 3 | 1.5 | 1 | 0.5 | 粗 c | 0.3 | 0.5 | 1 | 1.2 | 2 |

| | | | | | |
|----------------|-------------|-------------------|----------|--|--|
| 図番 Drawing No. | | | ページ Page | | |
| CLN-24A-PT-W18 | | | 2 / 2 | | |
| 改訂 Rev. | 年月日 Date | 改訂履歴 Revisions | | | |
| △ | | | | | |



Up and Down movement



| | | | |
|-----------|------------------|------------|-----------------|
| 5 | Pan-Bracket | 1 | SUS304 , t2.0 |
| 4 | Tilt-Bracket | 1 | SUS304 , t2.0 |
| 3 | Power Cable | 1 | AWG22 / 2Wires |
| 2 | Glass (Lens) | 1 | Tempered Glass |
| 1 | Body | 1 | Aluminium Alloy |
| 番号 No. | 部品名 Part Name | 数量 Qty. | 記事 Remarks |

| | | | | | | |
|-------------------|---------------|------------------|---|---------------------|--------------------------|-----------------------------|
| 機種 Model | CLN-24A-CD-PT | 特注No. S.P.No. | - | 図名 Name | Outer Dimensions Drawing | |
| 品目コード Part No. | - | 尺度 Scale | - | 三角法 3rd Angle P. | 単位 Unit | 株式会社 PATLITE Corporation |
| | | | | | mm | |

1

2

3

4

5

6

7

8

Ver.2.2 A3