

SPECIFICATIONS

[General Specifications]

Model	5 tiers	MR4-502□※1-△△△△△※2※3				
	4 tiers	MR4-402□-△△△△				
	3 tiers	MR4-302□-△△△				
	2 tiers	MR4-202□-△△				
	1 tier	MR4-102□-△				
UL Registered Model	MR4-02 MR4-02B					
Rated Voltage	24 V DC					
Operating Voltage Range	Rated Voltage ±10%					
Signal Wire Current	Typ.	Per Unit				
		Red: 22.5mA	Amber: 21.5mA	Green: 18.0mA	Blue: 19.0mA	White: 21.5mA
	Max.	Buzzer: 11.0mA				
		Per Unit				
Rated Power Consumption	Typ.	Red: 0.54W	Amber: 0.52W	Green: 0.43W	Blue: 0.46W	White: 0.52W
		Buzzer: 0.27W				
	Max.	Per Unit				
		Red: 0.72W	Amber: 0.72W	Green: 0.72W	Blue: 0.72W	White: 0.72W
		Buzzer: 0.44W				
Operating Ambient Temperature	-20 °C to +50 °C					
Operating Ambient Humidity	Less than 90 % (No condensation)					
Storage Ambient Temperature	-30 °C to +65 °C					
Storage Ambient Humidity	Less than 90 % (No condensation)					
Mounting Location	Indoors					
Mounting Direction	Upright					
Protection Rating	【No Buzzer】IP 65 (IEC 60529) 【Buzzer】IP 54 (IEC 60529)					
Environmental Condition	Upright Installation					
Vibration Resistance	Sweep Durability: Total amplitude: 0.3 mm _{p-p} (10 - 57.5 Hz), Acceleration: 20.0 m/s ² (57.5 - 150 Hz) Fixed pitch durability: Acceleration 20.0 m/s ² (IEC 60068-2-6)					
Environmental Condition	Upright Installation					
Insulation Resistance	More than 1MΩ at 500VDC between the terminals and the chassis					
Withstand Voltage	500VAC applied for 1min between terminals and chassis without breaking insulation					
Flashing Rate	-					
Sound Pressure Level	Typ. : 90 dB					
Environmental Condition	Front direction from the center/at 30cm					
Mass (Tolerance ±10%)	【No Buzzer】 1 tier: 195g 2 tiers: 235g 3 tiers: 275g 4 tiers: 315g 5 tiers: 355g 【Buzzer】 1 tier: 200g 2 tiers: 240g 3 tiers: 280g 4 tiers: 320g 5 tiers: 360g					
Outer Dimensions	Refer to the Outer Dimension Drawing					
Conformity Standards	EMC Directive (EN 61000-6-4, EN 61000-6-2) RoHS Directive (EN IEC 63000) UL 508, CSA-C22.2 No. 14					
Remarks	※1: □=B/(Non) (B = Continuous Light and Buzzer, (Non) = Continuous Lighting) ※2: △=R/Y/G/B/C (LED Unit Color: R=Red, Y=Amber, G=Green, B=Blue, C=White) ※3: About "△△△△△" is LED Color Location, from Left side to right side means Top to Bottom. Conforms to the CE Requirements Conforms to the UKCA Requirements					

指定 公差 General tolerance	角度公差 ±[°]		寸法公差 ±[mm]					図番 Drawing No.		ページ Page	
	短辺 長さ Length of short side	~	~	6	30	120	300	1000	改訂 Rev.	年月日 Date	改訂履歴 Revisions
	精 f	10	50	100	精 f	0.05	0.1	0.2			
	中 m	1	0.5	0.3	0.1	中 m	0.1	0.3	0.5	0.7	1
粗 v	3	1.5	1	0.5	粗 c	0.3	0.5	1	1.2	2	
								MR4-502-W18	2/2		

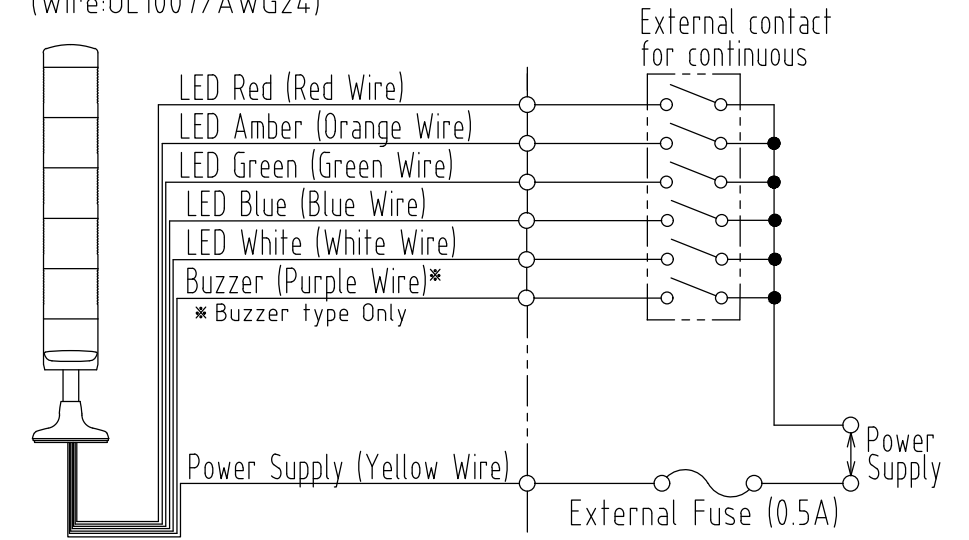
Model No. Configuration

MR4-□02B-□□□□□

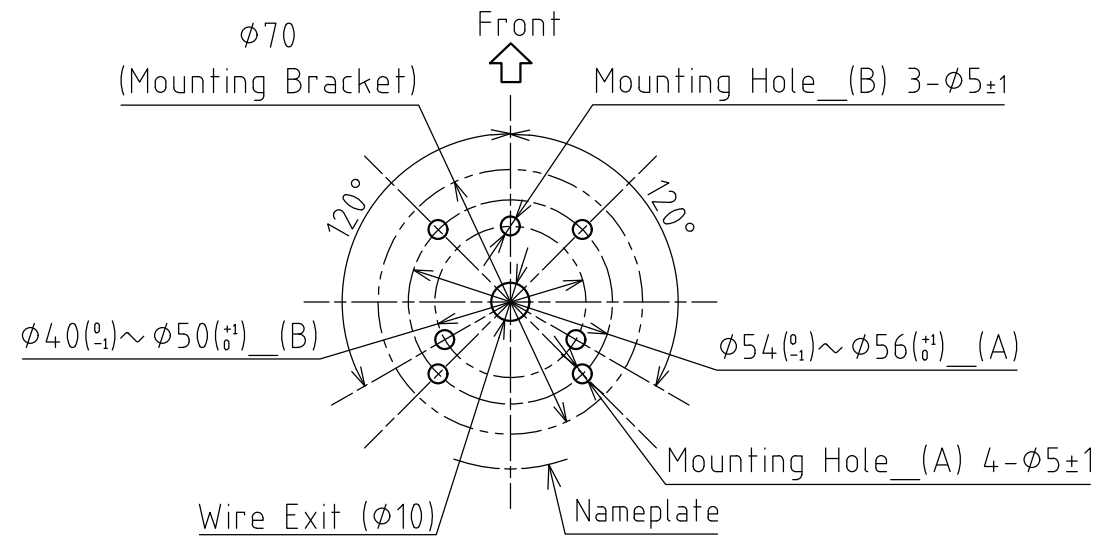
- Light Style
 - 1:1 Tier
 - 2:2 Tiers
 - 3:3 Tiers
 - 4:4 Tiers
 - 5:5 Tiers
- LED Unit Color
(R:Red / Y:Amber / G:Green / B:Blue / C:White)
* Lens color from top to bottom
- Light and Buzzer method
B: Continuous Light and Buzzer
None: Continuous Lighting
- Rated Voltage
02:24V DC

Wiring Example

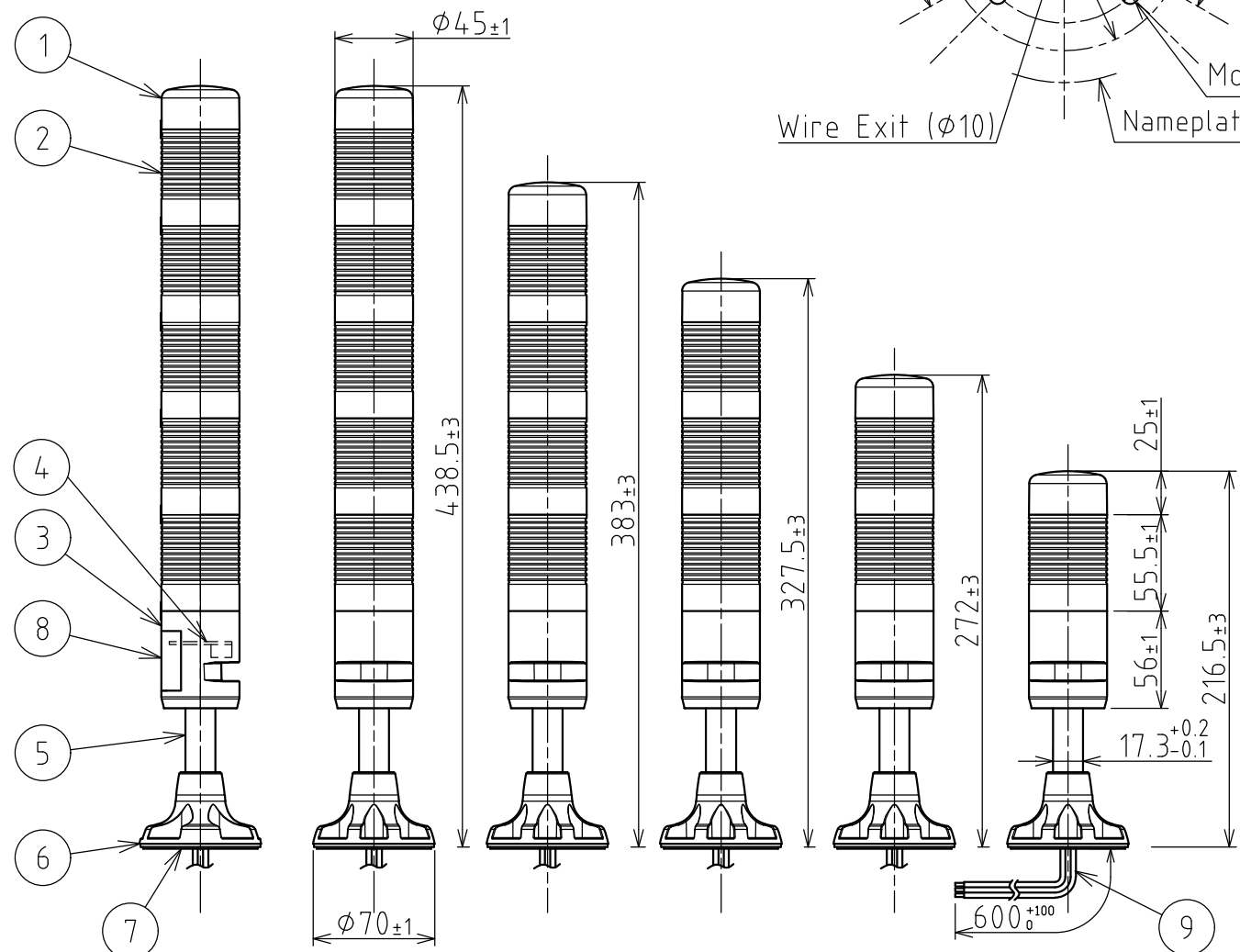
(Wire:UL1007/AWG24)



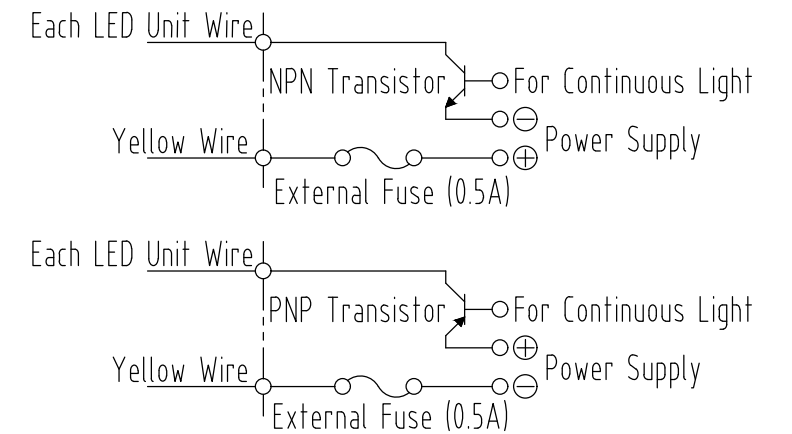
Mounting Hole Template (1:2)



Dimensions



Transistor Drive Example (24V DC)



9	Power Wire Assembly	1	
8	Nameplate	1	
7	Water Proof Packing	1	CR Black
6	Mounting Bracket	1	ABS Light Gray
5	Pole	1	AL,L=100 Silver
4	Buzzer PCB Assembly	1	(Buzzer type only)
3	Body	1	ABS Light Gray
2	LED Unit Assembly	1~5	PC(Red,Amber,Green,Blue,White)
1	Head Cover	1	ABS Light Gray
番号 No.	部品名 Part Name	数量 Qty.	記事 Remarks
機種 Model	MR4-□02(B)	特注No. S.P.No.	-
品目コード Part No.	-	図名 Name	Outer Dimensions Drawing
	尺度 Scale	三角法 3rd Angle P.	単位 Unit mm
		株式会社 パトライト PATLITE Corporation	