

# SPECIFICATIONS

## [General Specifications]

Model	5 tiers	MR4-502□※1L-△△△△△※2※3				
	4 tiers	MR4-402□L-△△△△				
	3 tiers	MR4-302□L-△△△				
	2 tiers	MR4-202□L-△△				
	1 tier	MR4-102□L-△				
UL Registered Model	MR4_02L MR4_02BL					
Rated Voltage	24 V DC					
Operating Voltage Range	Rated Voltage ±10%					
Signal Wire Current	Typ.	Per Unit				
		Red: 22.5mA	Amber: 21.5mA	Green: 18.0mA	Blue: 19.0mA	White: 21.5mA
	Max.	Per Unit				
		Red: 30.0mA	Amber: 30.0mA	Green: 30.0mA	Blue: 30.0mA	White: 30.0mA
Rated Power Consumption	Typ.	Per Unit				
		Red: 0.54W	Amber: 0.52W	Green: 0.43W	Blue: 0.46W	White: 0.52W
	Max.	Per Unit				
		Red: 0.72W	Amber: 0.72W	Green: 0.72W	Blue: 0.72W	White: 0.72W
Operating Ambient Temperature	-20 °C to +50 °C					
Operating Ambient Humidity	Less than 90 % (No condensation)					
Storage Ambient Temperature	-30 °C to +65 °C					
Storage Ambient Humidity	Less than 90 % (No condensation)					
Mounting Location	Indoors					
Mounting Direction	Upright					
Protection Rating	IP 54 (IEC 60529)					
Environmental Condition	Upright Installation					
Vibration Resistance	Sweep Durability: Total amplitude: 0.3 mm <sub>p-p</sub> (10 - 57.5 Hz), Acceleration: 20.0 m/s <sup>2</sup> (57.5 - 150 Hz) Fixed pitch durability: Acceleration 20.0 m/s <sup>2</sup> (IEC 60068-2-6)					
Environmental Condition	Upright Installation					
Insulation Resistance	More than 1MΩ at 500VDC between the terminals and the chassis					
Withstand Voltage	500VAC applied for 1min between terminals and chassis without breaking insulation					
Flashing Rate	-					
Sound Pressure Level	Typ. : 90 dB					
Environmental Condition	Front direction from the center/at 30cm					
Mass (Tolerance ±10%)	【No Buzzer】 1 tier: 330g 2 tiers: 370g 3 tiers: 410g 4 tiers: 450g 5 tiers: 490g 【Buzzer】 1 tier: 335g 2 tiers: 375g 3 tiers: 415g 4 tiers: 455g 5 tiers: 495g					
Outer Dimensions	Refer to the Outer Dimension Drawing					
Conformity Standards	EMC Directive (EN 61000-6-4, EN 61000-6-2) RoHS Directive (EN IEC 63000) UL 508, CSA-C22.2 No. 14					
Remarks	※1: □=B/(Non) (B = Continuous Light and Buzzer, (Non) = Continuous Lighting) ※2: △=R/Y/G/B/C (LED Unit Color: R=Red, Y=Amber, G=Green, B=Blue, C=White) ※3: About "△△△△△" is LED Color Location, from Left side to right side means Top to Bottom. Conforms to the CE Requirements Conforms to the UKCA Requirements					

# Model No. Configuration

MR4-□ 02BL-□□□□□

### Light Style

- 1:1 Tier
- 2:2 Tiers
- 3:3 Tiers
- 4:4 Tiers
- 5:5 Tiers

### Rated Voltage

02:24V DC

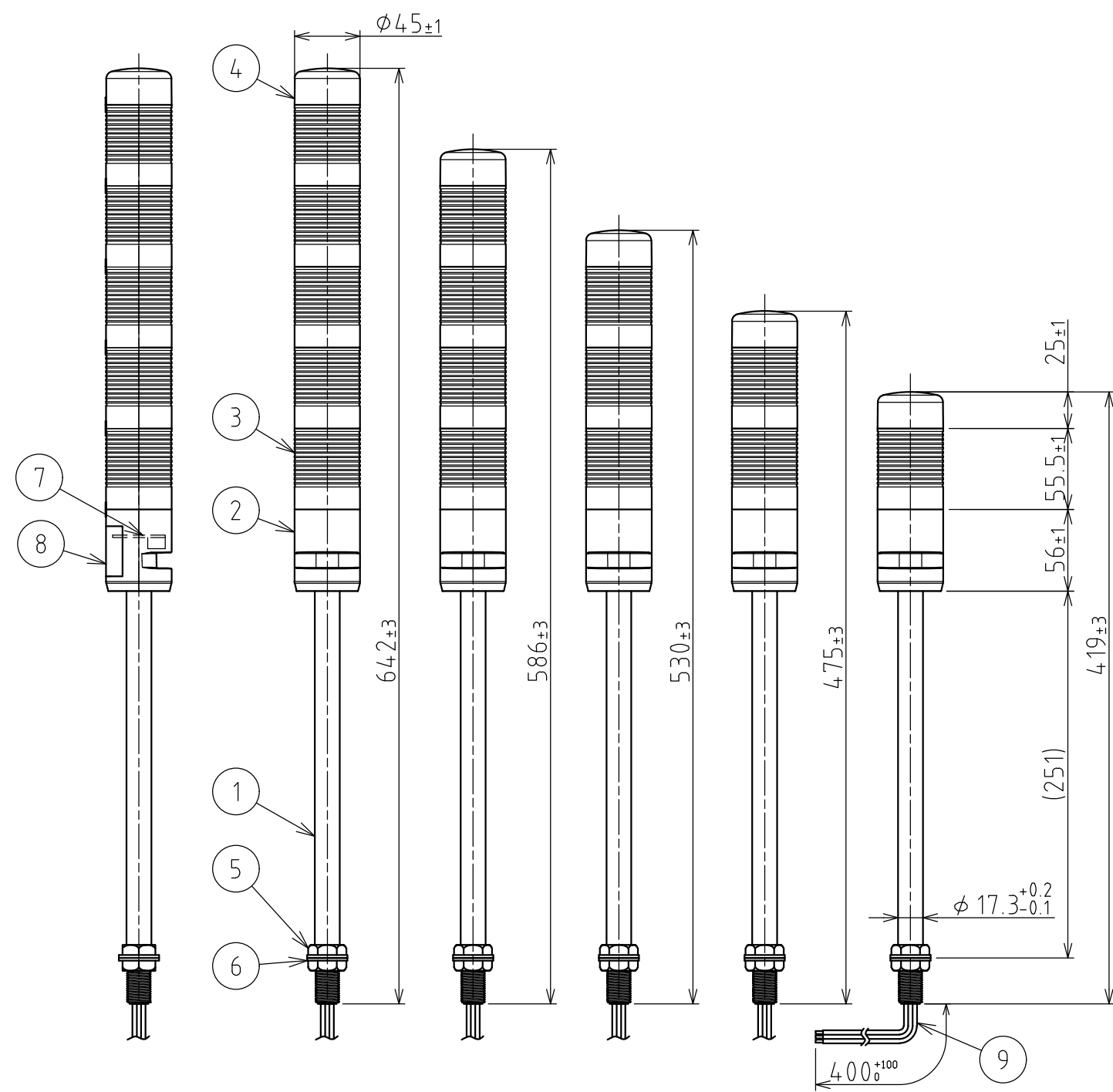
### LED Unit Color

(R:Red / Y:Amber / G:Green / B:Blue / C:White)  
\* Lens color from top to bottom

### Light and Buzzer method

B: Continuous Light and Buzzer  
None: Continuous Lighting

## Dimensions



指定公差 General tolerance	角度公差 ±[°] Angular tolerance ±[°]			寸法公差 ±[mm] Dimensional tolerance ±[mm]					
	短辺長さ Length of short side	~	~100	6	30	120	300	1000	
精 f	10	50	100	精 f	0.05	0.1	0.2	0.4	0.6
中 m	1	0.5	0.3	中 m	0.1	0.3	0.5	0.7	1
粗 v	3	1.5	1	粗 c	0.3	0.5	1	1.2	2

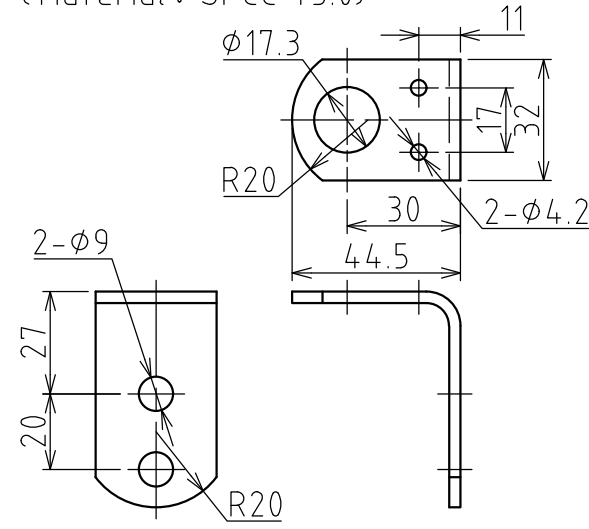
図番 Drawing No.	MR4-502L-W18	
改訂 Rev.	年月日 Date	改訂履歴 Revisions

ページ Page	2/2
----------	-----

## Accessory

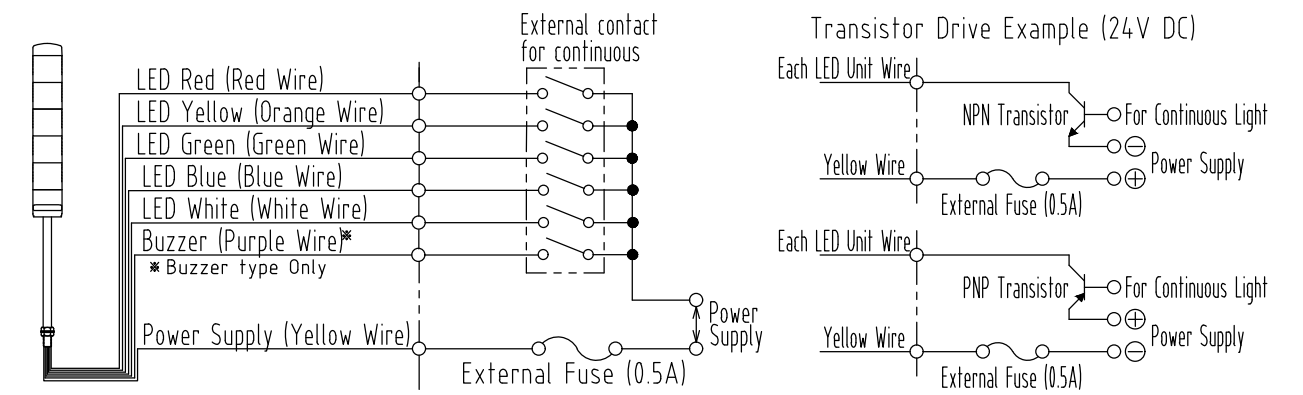
### L-Bracket Dimensions

(Material: SPCC t3.0)



## Wiring Example

Wire:UL1007/AWG24)



番号 No.	部品名 Part Name	数量 Qty.	記事 Remarks
9	Power Wire Assembly	1	
8	Nameplate	1	
7	Buzzer PCB Assembly	1	(Buzzer type only)
6	Flat Washer	2	φ28×φ17.5 t=2.0
5	Hexagon Nut	2	M17,P1.5,Opposite side 23
4	Head Cover	1	ABS Light Gray
3	LED Unit Assembly	1~5	PC(Red,Amber,Green,Blue,White)
2	Body	1	ABS Light Gray
1	Pole	1	AL,L=310 Silver

機種 Model	MR4-□ 02(B)L	特注 No. S.P.No.	-	図名 Name	Outer Dimensions Drawing
品目コード Part No.	-	尺度 Scale	-	三角法 3rd Angle P.	単位 Unit mm
				株式会社 パトライト PATLITE Corporation	