

# SPECIFICATIONS

## [General Specifications]

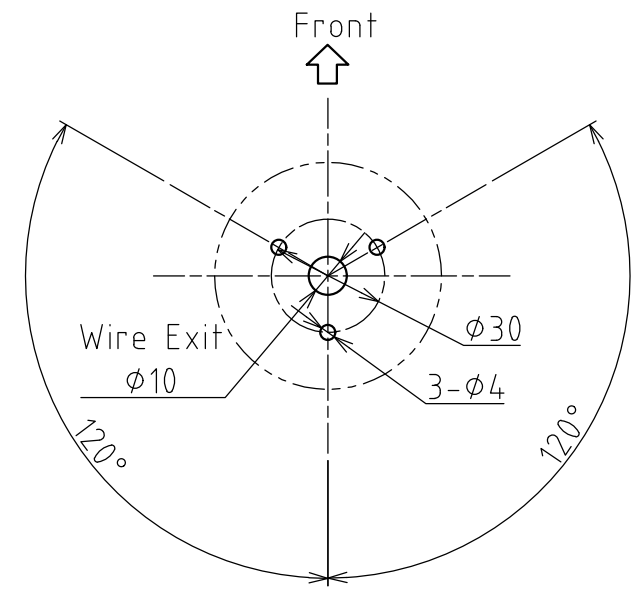
Model	5 tiers	MR4-502□※1W-△△△△△※2 ※3				
	4 tiers	MR4-402□W-△△△△				
	3 tiers	MR4-302□W-△△△				
	2 tiers	MR4-202□W-△△				
	1 tier	MR4-102□W-△				
UL Registered Model		MR4- 02W MR4- 02BW				
Rated Voltage		24 V DC				
Operating Voltage Range		Rated Voltage ±10%				
Signal Wire Current	Typ.	Per Unit				
		Red: 22.5mA	Amber: 21.5mA	Green: 18.0mA	Blue: 19.0mA	White: 21.5mA
	Max.	Per Unit				
		Red: 30.0mA	Amber: 30.0mA	Green: 30.0mA	Blue: 30.0mA	White: 30.0mA
Rated Power Consumption	Typ.	Per Unit				
		Red: 0.54W	Amber: 0.52W	Green: 0.43W	Blue: 0.46W	White: 0.52W
	Max.	Per Unit				
		Red: 0.72W	Amber: 0.72W	Green: 0.72W	Blue: 0.72W	White: 0.72W
Operating Ambient Temperature		-20 °C to +50 °C				
Operating Ambient Humidity		Less than 90 % (No condensation)				
Storage Ambient Temperature		-30 °C to +65 °C				
Storage Ambient Humidity		Less than 90 % (No condensation)				
Mounting Location		Indoors				
Mounting Direction		Upright				
Protection Rating		【No Buzzer】 IP 65 (IEC 60529) 【Buzzer】 IP 54 (IEC 60529)				
Environmental Condition		Upright Installation				
Vibration Resistance		Sweep Durability: Totalamplitude: 0.3 mm <sub>p-p</sub> (10 - 57.5 Hz), Acceleration: 20.0 m/s <sup>2</sup> (57.5 - 150 Hz) Fixed Vibration Frequency Durability: Acceleration 10.0 m/s <sup>2</sup> (IEC 60068-2-6)				
Environmental Condition		Upright Installation				
Insulation Resistance		More than 1MΩ at 500VDC between the terminals and the chassis				
Withstand Voltage		500VAC applied for 1min between terminals and chassis without breaking insulation				
Flashing Rate		-				
Sound Pressure Level		Typ. : 90 dB				
Environmental Condition		Front direction from the center/at 30cm				
Mass (Tolerance ±10%)		【No Buzzer】 1 tier: 130g 2 tiers: 170g 3 tiers: 210g 4 tiers: 250g 5 tiers: 290g 【Buzzer】 1 tier: 135g 2 tiers: 175g 3 tiers: 215g 4 tiers: 255g 5 tiers: 295g				
Outer Dimensions		Refer to the Outer Dimension Drawing				
Conformity Standards		EMC Directive (EN 61000-6-4, EN 61000-6-2) RoHS Directive (EN IEC 63000) UL 508, CSA-C22.2 No. 14				
Remarks		※1: □=B/(Non) (B = Continuous Light and Buzzer, (Non) = Continuous Lighting) ※2: △=R/Y/G/B/C (LED Unit Color: R=Red, Y=Amber, G=Green, B=Blue, C=White) ※3: About "△△△△△" is LED Color Location, from Left side to right side means Top to Bottom. Conforms to the CE Requirements Conforms to the UKCA Requirements				

### Model No. Configuration

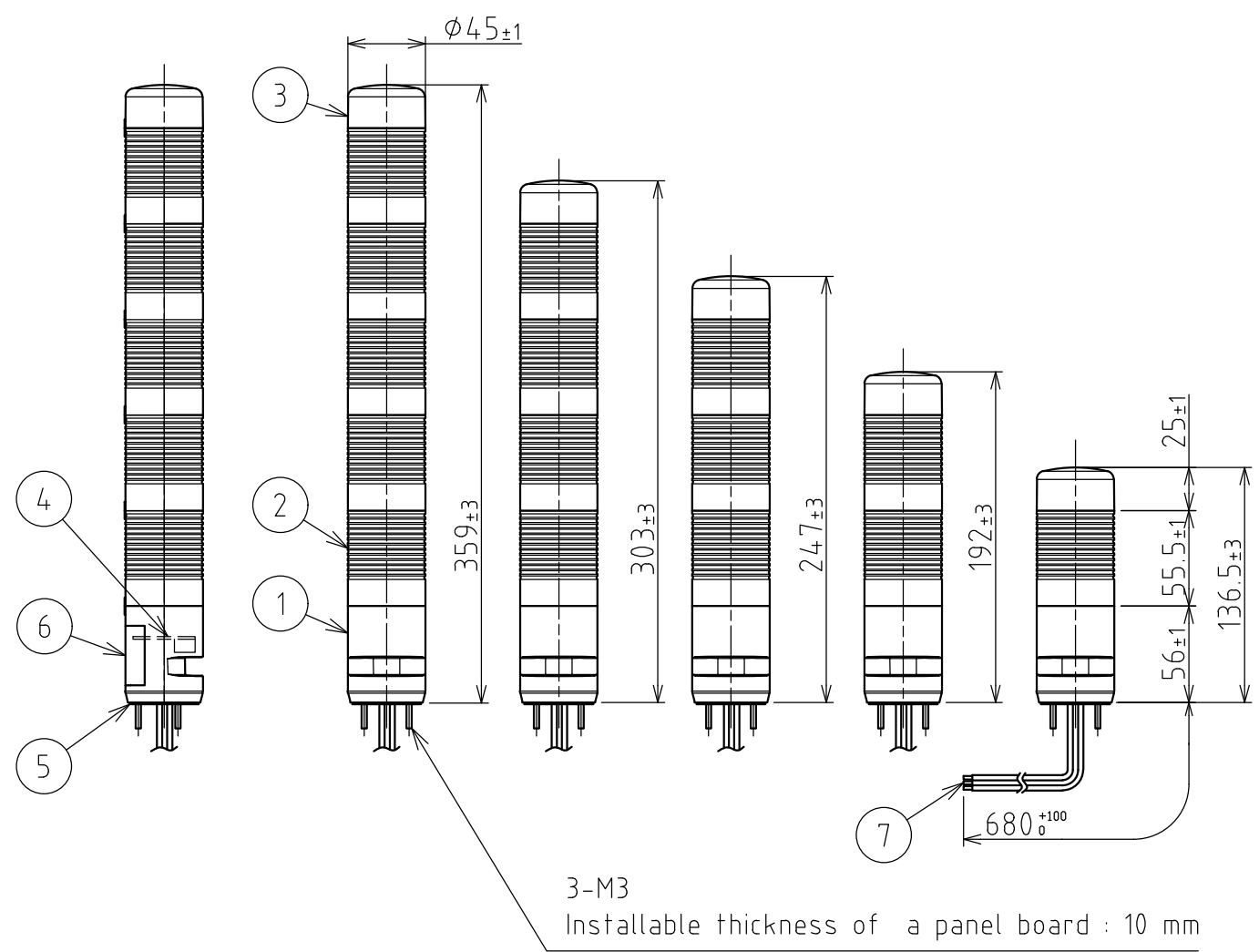
MR4-□ 02BW-□□□□□

- Light style
  - 1:1 Tier
  - 2:2 Tiers
  - 3:3 Tiers
  - 4:4 Tiers
  - 5:5 Tiers
- LED Unit Color  
(R:Red / Y:Amber / G:Green / B:Blue / C:White)  
\* Lens color from top to bottom
- Light and Buzzer method  
B: Continuous Light and Buzzer  
None: Continuous Lighting
- Rated Voltage  
02:24V DC

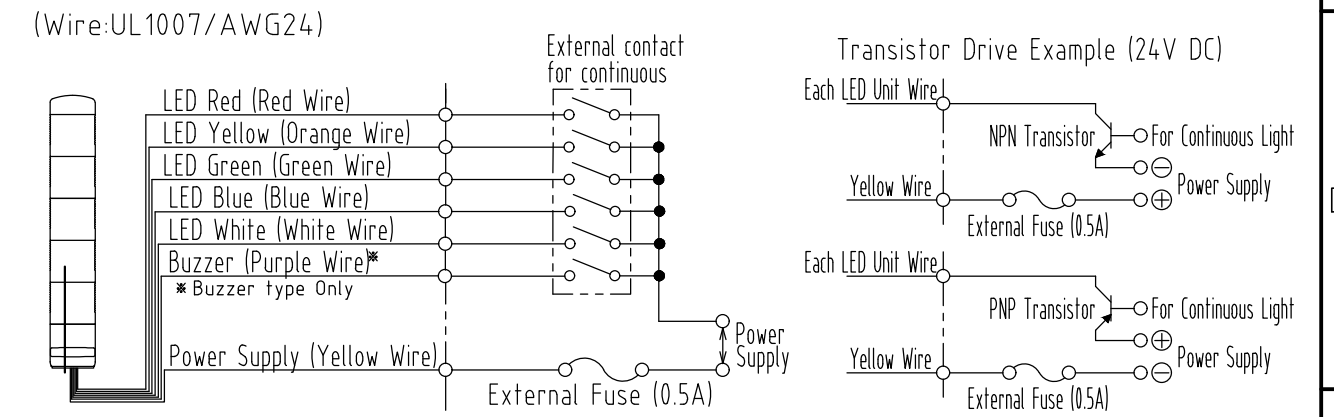
### Mounting Hole Template (1:2)



### Dimensions



### Wiring Example



7	Power Wire Assembly	1	
6	Nameplate	1	
5	Water Proof Packing	1	CR Black
4	Buzzer PCB Assembly	1	(Buzzer type only)
3	Head Cover	1	ABS Light Gray
2	LED Unit Assembly	1~5	PC (Red,Amber,Green,Blue,White)
4	Body	1	ABS Light Gray
番号 No.	部品名 Part Name	数量 Qty.	記事 Remarks

機種 Model	MR4-□ 02(B)W	特注No. S.P.No.	-	図名 Name	Outer Dimensions Drawing
品目コード Part No.	-	尺度 Scale	-	三角法 3rd Angle P.	単位 Unit mm
			株式会社 PATLITE Corporation		