

SPECIFICATIONS

[General Specifications]

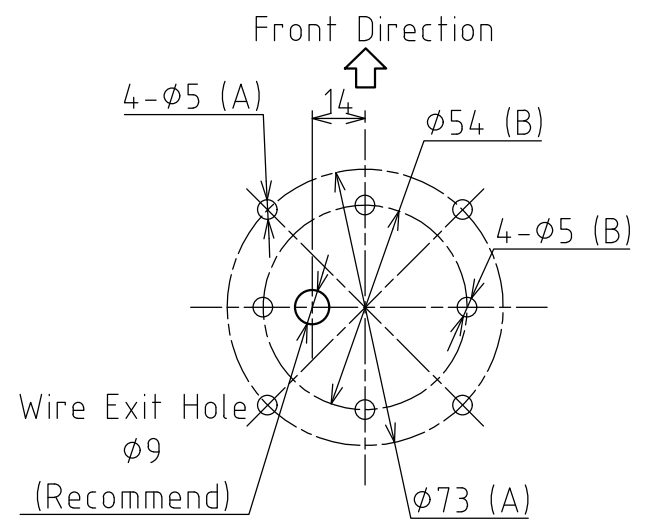
Model	5 tiers	MR6-502□※1Q-△△△△△※2				
	4 tiers	MR6-402□Q-△△△△				
	3 tiers	MR6-302□Q-△△△				
	2 tiers	MR6-202□Q-△△				
	1 tier	MR6-102□Q-△				
UL Registered Model		-				
Rated Voltage		24 V DC				
Operating Voltage Range		Rated Voltage ±10%				
Signal Wire Current	Typ.	Per Unit				
		Red: 44.3mA	Amber: 37.0mA	Green: 35.8mA	Blue: 34.0mA	White: 37.0mA
	Max.	Buzzer: 7.7mA				
		Per Unit				
Rated Power Consumption	Typ.	Per Unit				
		Red: 1.06W	Amber: 0.89W	Green: 0.84W	Blue: 0.82W	White: 0.89W
	Max.	Buzzer: 0.19W				
		Per Unit				
Operating Ambient Temperature		-20 °C to +50 °C				
Operating Ambient Humidity		Less than 90 % (No condensation)				
Storage Ambient Temperature		-30 °C to +65 °C				
Storage Ambient Humidity		Less than 90 % (No condensation)				
Mounting Location		Indoors				
Mounting Direction		Upright				
Protection Rating		【No Buzzer】 IP65 (IEC 60529) 【Buzzer】 IP 54 (IEC 60529)				
Environmental Condition		-				
Vibration Resistance		19.6m/s ² (at 30Hz) (IEC 60068-2-6)				
Insulation Resistance		More than 1MΩ at 500VDC between the terminals and the chassis				
Withstand Voltage		500VAC applied for 1min between terminals and chassis without breaking insulation				
Flashing Rate		-				
Sound Pressure Level		Min : 90 dB				
Environmental Condition		Front direction from the center/at 30cm				
Mass (Tolerance ±10%)		【No Buzzer】 1 tier: 305g 2 tiers: 345g 3 tiers: 385g 4 tiers: 425g 5 tiers: 465g 【Buzzer】 1 tier: 320g 2 tiers: 360g 3 tiers: 400g 4 tiers: 440g 5 tiers: 480g				
Outer Dimensions		Refer to the Outer Dimension Drawing				
Conformity Standards		EMC Directive (EN 61000-6-4, EN 61000-6-2) RoHS Directive (EN IEC 63000)				
Remarks		※1: □=B/(Blank) (B=Buzzer,Blank=Lighting only) ※2: △=R/Y/G/B/C (LED Unit Color: R=Red, Y=Amber, G=Green, B=Blue, C=White) ※3: About "△△△△△" is LED Color Location, from Left side to right side means Top to Bottom. Conforms to the CE Requirements Conforms to the UKCA Requirements				

Model No. Configuration

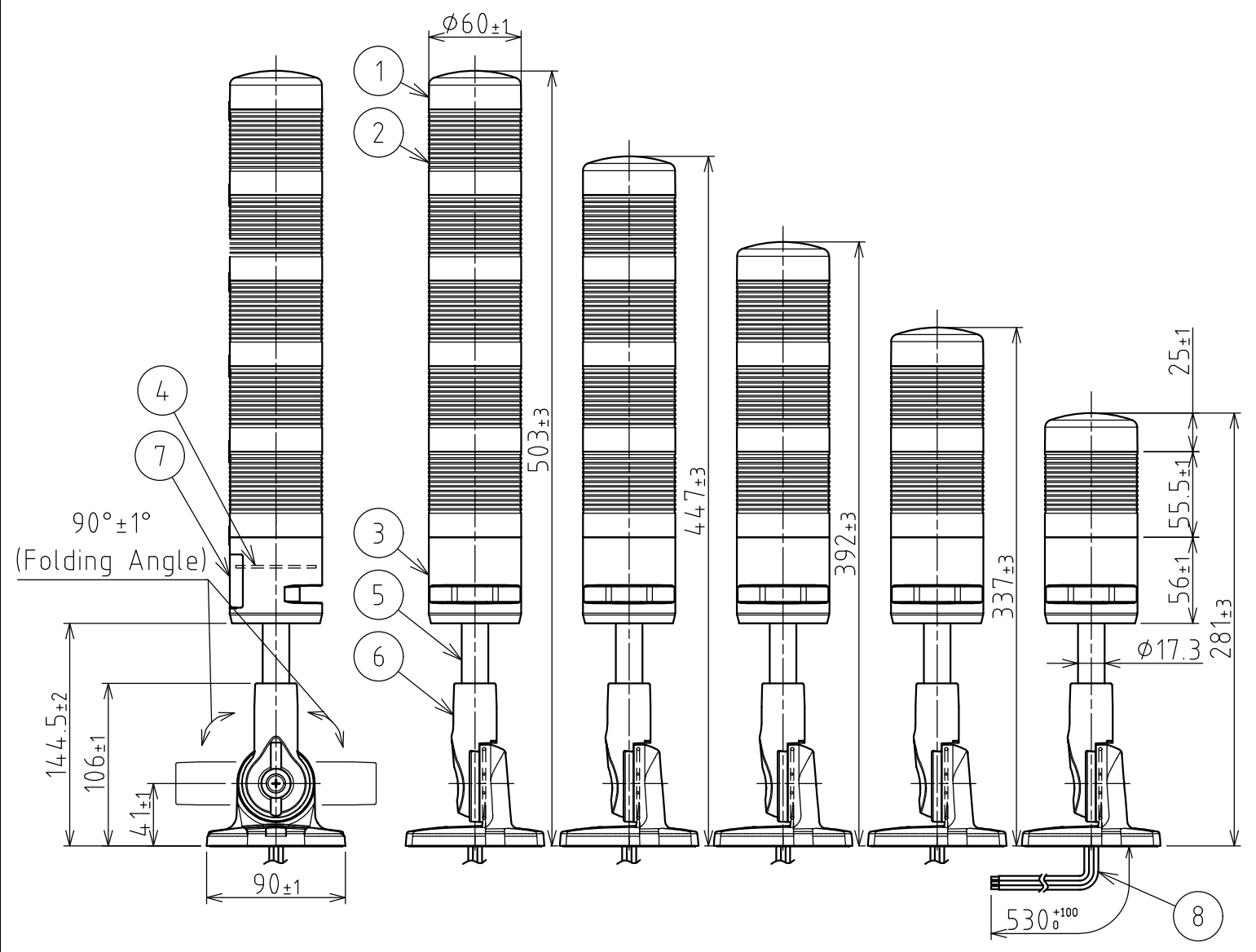
MR6-□ 02BQ -□ □ □ □ □

- Light Style
 - 1:1 Tiers
 - 2:2 Tiers
 - 3:3 Tiers
 - 4:4 Tiers
 - 5:5 Tiers
- LED Unit Color
(R:Red / Y:Amber / G:Green / B:Blue / C:White)
* Lens Color from top to bottom
- Type
B:Continuous Light and Alarm
Blank:Continuous Light
- Rated Voltage
02:24V DC

Mounting Hole Template (1:2)

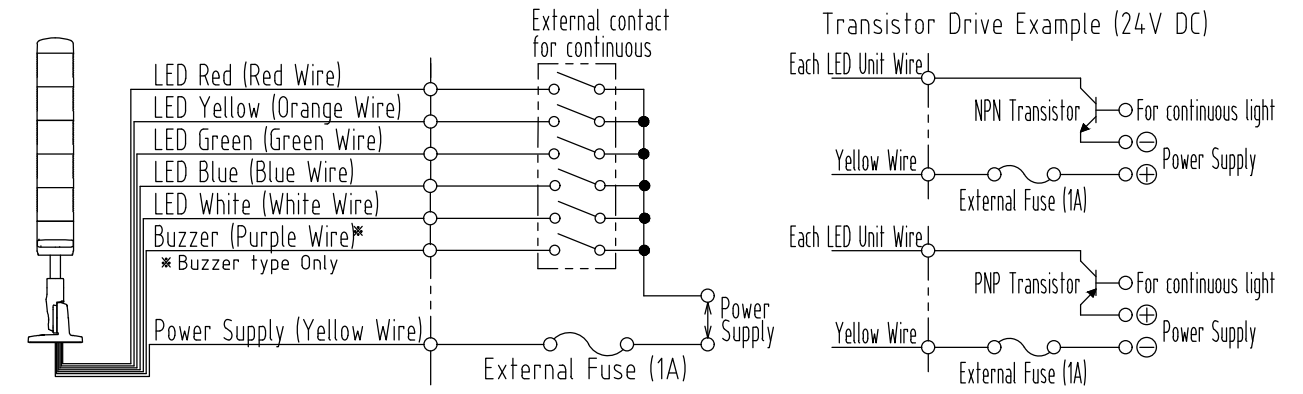


Dimensions



Wiring Example

(Wire:UL1007/AWG24)



8	Power Wire Assembly	1	
7	Nameplate	1	
6	Tilt Bracket	1	ABS Light Gray
5	Pole	1	AL Silver
4	Buzzer PCB Assembly	1	(Buzzer type only)
3	Body	1	ABS Light Gray
2	LED Unit	1~5	PC(Red,Amber,Green,Blue,White)
4	Head Cover	1	ABS Light Gray
番号 No.	部品名 Part Name	数量 Qty.	記事 Remarks

機種 Model	MR6-□ 02(B)Q	特注No. S.P.No.	-	図名 Name	Outer Dimensions Drawing		
品目コード Part No.	-	尺度 Scale	-	三角法 3rd Angle P.	単位 Unit	mm	株式会社 PATLITE Corporation