

Signal Tower
Signalturn
Tour lumineuse de signalisation
Torre di segnalazione
Torre de señal

Installation Manual
Installationsanleitung
Manuel d'installation
Manuale di installazione
Manual de instalación

- Installation Wiring
- Installation Verkabelung
- Installation Câblage
- Installazione Cablaggio
- Instalación Cableado

TYPE MR6

Notice to Customer Thank you very much for purchasing our Patlite products.

- This product requires installation, wiring, and other related work. Be sure to ask an expert technician to perform these procedures.
- This installation manual is intended for the technician who performs the installation and wiring of the product.
- A separate user's manual is provided for customers who operate the product after installation. Be sure to read the user's manual before operating the product.

WARNING Indicates an imminently dangerous condition: failure to follow the instructions may lead to death or serious injury.

- Request the installation and wiring to be accompanied by a professional contractor. If installation is done improperly, it may result in fire, electric shock, falling, or malfunction.

CAUTION Indicates a potentially dangerous condition: failure to follow the instructions may lead to slight injury or property damage.

- Use a soft cloth dampened with water to clean the product. (Do not use thinner, benzene, gasoline or oil.)

Hinweis an den Kunden Vielen Dank, dass Sie unser Patlite-Produkt erworben haben.

- Dieses Produkt erfordert Installations-, Verkabelungs- und andere Arbeiten. Bitten Sie stets einen erfahrenen Techniker, diese Arbeiten durchzuführen.
- Diese Installationsanleitung richtet sich an die Techniker, die die Installation und Verkabelung für dieses Produkt ausführen.
- Für die Kunden, die das Produkt nach der Installation verwenden, steht eine separate Bedienungsanleitung zur Verfügung. Lesen Sie stets die Bedienungsanleitung, bevor Sie das Produkt verwenden.

WARNING Weist auf eine unmittelbar gefährliche Situation hin: Die Nichtbefolgung der Anweisungen kann zum Tod oder zu einer schweren Verletzung führen.

- Bitten Sie professionelles Fachpersonal um die Ausführung der Installation und Verkabelung. Wenn die Installation nicht ordnungsgemäß ausgeführt wird, kann dies zu einem Feuer, Stromschlag, zum Herunterfallen oder zu einer Fehlfunktion führen.

VORSICHT Weist auf eine potentiell gefährliche Situation hin: Die Nichtbefolgung der Anweisungen kann zu einer leichten Verletzung oder einem Sachschaden führen.

- Verwenden Sie ein weiches Tuch, das mit Wasser angefeuchtet, um ein Produkt zu reinigen. (Verwenden Sie keinen Verdünnern, Benzin, Benzin oder Öl.)

Avis au client Nous vous remercions d'avoir acheté notre produit Patlite.

- Ce produit nécessite une installation, un câblage et d'autres travaux connexes. Assurez-vous de faire appel à un technicien expérimenté pour effectuer ces procédures.
- Ce manuel d'installation est destiné au technicien qui effectue l'installation et le câblage de l'appareil.
- Un mode d'emploi séparé est fourni aux clients qui utilisent le produit après l'installation. Veuillez à lire le manuel d'utilisation avant d'utiliser le produit.

AVERTISSEMENT Indique une situation dangereuse imminente : le non-respect de ces consignes peut entraîner la mort ou des blessures graves.

- Demandez à ce que l'installation et le câblage soient effectués en présence d'un professionnel. Si l'installation est réalisée de façon incorrecte, il existe un risque d'incendie, de choc électrique, de chute ou de dysfonctionnement.

ATTENTION Indique une situation potentiellement dangereuse : le non-respect de ces consignes peut entraîner de légères blessures ou des dommages matériels.

- Utilisez un chiffon doux imbibé d'eau pour nettoyer le produit. (N'utilisez pas de diluant, d'essence, d'essence ou d'huile.)

Avviso al cliente Grazie per aver acquistato il nostro prodotto Patlite.

- Questo prodotto richiede l'installazione, il collegamento elettrico e altri lavori. Assicurarsi di chiedere a un esperto tecnico di eseguire questi lavori.
- Questo manuale di installazione deve essere utilizzato dal tecnico che esegue l'installazione e il cablaggio elettrico del prodotto.
- Un manuale dell'utente separato è fornito per i clienti che utilizzano il prodotto dopo l'installazione. Assicurarsi di leggere il manuale dell'utente prima di mettere in funzione il prodotto.

AVVERTENZA Indica un'imminente situazione di pericolo: il mancato rispetto delle istruzioni potrebbe causare la morte o lesioni gravi.

- Richiedere l'installazione e il cablaggio ad un professionista. Se l'installazione è eseguita in modo errato, può provocare un incendio, scosse elettriche, cadute o malfunzionamenti.

ATTENZIONE Indica una potenziale situazione di pericolo: il mancato rispetto delle istruzioni potrebbe causare lesioni leggere o danni materiali.

- Utilizzare un panno morbido inumidito con acqua per pulire il prodotto. (Non usare diluente, benzina, benzina o olio.)

Aviso al cliente Gracias por adquirir nuestro producto Patlite.

- Este producto requiere instalación, cableado y otros trabajos relacionados. Asegúrese de solicitar a un técnico experto la realización de estos procedimientos.
- Este manual de instalación ha sido elaborado para el técnico que lleva a cabo la instalación y el cableado del producto.
- Se proporciona por separado un manual del usuario para los clientes que usarán el producto después de la instalación. Asegúrese de leer el manual del usuario antes de utilizar el producto.

ADVERTENCIA Indica una condición de riesgo inminente: no observar estas instrucciones podría causar lesiones graves o incluso la muerte.

- Solicite que la instalación y el cableado sean realizados por un contratista profesional. Si la instalación se realiza de forma incorrecta, podría causar incendios, descargas eléctricas, caídas o un fallo de funcionamiento.

ATENCIÓN Indica una situación potencialmente peligrosa: no observar estas instrucciones podría causar lesiones leves o daños materiales.

- Utilice un paño suave humedecido con agua para limpiar el producto. (No use diluyente, bencina, gasolina o aceite.)

To Installers or Contractors

- Read this manual thoroughly before using this product to ensure correct use.
- If there are any questions concerning this product, refer to the contact information at the end of USER's manual and contact your nearest PATLITE Sales Representative.

Für Installateure und Fachpersonal

- Lesen Sie diese Anleitung sorgfältig, bevor Sie dieses Produkt verwenden, um die ordnungsgemäße Verwendung zu gewährleisten.
- Wenn Sie irgendwelche Fragen zu diesem Produkt haben, verwenden Sie die Kontaktinformationen am Ende bedienungsanleitung Anleitung und wenden Sie sich an Ihren nächstgelegenen PATLITE-Vertriebsmitarbeiter.

Aux installateurs ou aux entrepreneurs

- Lisez attentivement ce manuel avant d'utiliser ce produit pour garantir une utilisation correcte.
- Si vous avez des questions concernant ce produit, reportez-vous aux coordonnées figurant à la fin de ce mode d'emploi de l'appareil et contactez votre représentant de vente PATLITE le plus proche.

Per gli installatori o gli appaltatori

- Leggere attentamente il manuale prima di utilizzare questo prodotto per garantirne un uso corretto.
- Se vi sono domande riguardanti questo prodotto, fare riferimento alle informazioni di contatto alla fine di Manuale dell'utente e contattare il più vicino rappresentante di vendita PATLITE.

Para instaladores o contratistas

- Lea atentamente este manual antes de utilizar este producto para asegurar un uso correcto.
- Si tiene preguntas relacionadas con este producto, consulte la información de contacto que se encuentra al final de Manual del usuario y póngase en contacto con su representante de ventas PATLITE más cercano.

About this Product

This product is a multipurpose signal tower, designed principally for giving notifications of the operating status for FA (Factory Automation) equipment in factories, etc., using LEDs and buzzers*.

* B (Buzzer) Only Specification

1 Safety Precautions

In order to prevent any damage to the user and other personnel or to assets, note the following:

WARNING

- Wiring should be done after the power supply is turned off. Failure to comply may result in damage of the internal circuitry and the danger of electric shock due to short-circuiting.
- Request the installation and wiring be performed by a professional contractor if onstruction work is involved. Failure to comply may result in electric shock, fire, or falling from high places.
- When this product is used for security purposes, it should be inspected daily, and to be used in conjunction with other security products, in case a malfunction should occur.
- After attaching this product onto the machinery, do not remove the cover, hook anything onto the product or use the product as a step when climbing onto the machinery. Failure to comply may result in falling off the machinery or product damage may occur.

CAUTION

- Be sure to use the proper external fuse as shown in the "Wiring Example" section to protect the power supply for safety.
- This product is not designed for unit recombination. Do not add any excessive load onto the unit. Possible cause of failure may occur.

2 Model Number Configuration

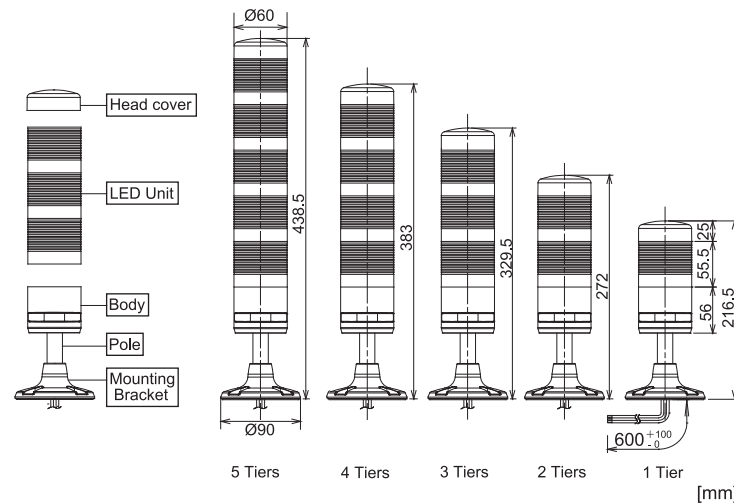
MR6-□02□□-□□□

- **Tiers**
 - 1 : 1 Tier
 - 2 : 2 Tiers
 - 3 : 3 Tiers
 - 4 : 4 Tiers
 - 5 : 5 Tiers
- **Type**
 - None : Continuous Light
 - B : Buzzer
- **Mounting**
 - None : Pole Mount (Mounting Bracket)
 - L : Pole Mount (Mounting Angle)
 - Q : Pole Mount (Tilt Bracket)
 - W : Direct Mounting
- **Color**
 - R : Red
 - Y : Amber
 - G : Green
 - B : Blue
 - C : White

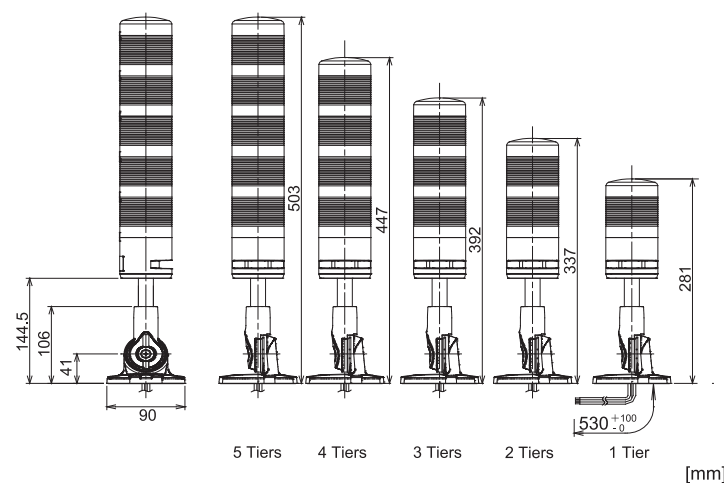
Upper tier starts from the left

3 Part Names and Appearance Dimensions

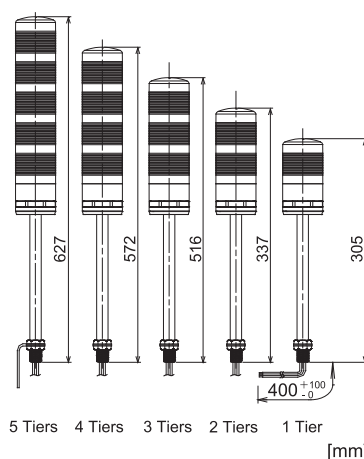
MR6-□02(B) Type



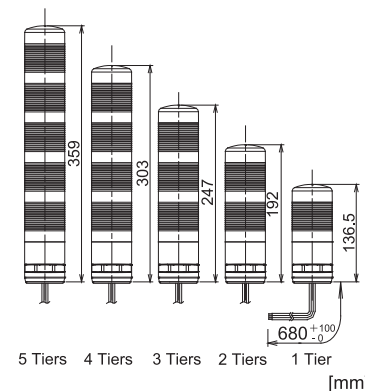
MR6-□02(B)Q Type



MR6-□02(B)L Type



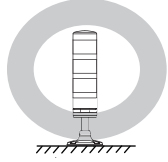
MR6-□02(B)W Type



4 Installation

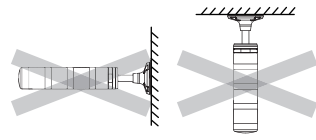
- Ensure the fitting hole is placed when mounting so that the buzzer opening is in the forward direction when installed in the upright position.
(Refer to Installation dimensional drawing)
- MR6-□02(B) Type : Recommended bolt/nut size: M4; torque : 0.7 N·m
- MR6-□02(B)Q Type : Recommended bolt/nut size: M4; torque : 1.2 N·m
- MR6-□02(B)L Type : Recommended bolt/nut size: M8
- MR6-□02(B)L Type : Recommended tapping screw 4×15. ※Accessory
- During installation, do not remove the waterproof sheet. It may cause a malfunction.
- This product has waterproof packing at the bottom of the installation surface.
- However, when complete waterproofing is not provided due to the unevenness of the installation surface, apply waterproof sealant between the unit and the installation surface to maintain waterproof conditions.
- Be sure to install in a place where vibration is minimal if possible, and the surface is strong enough for upright installation.
- When using a product with a buzzer and flashing function, check the mounting direction since sound pressure changes according to the direction.
- Do not disassemble or detach during operation.
- For use on a flat surface of Type 1 Enclosure when installed as intended.
- Maximum surrounding air temperature rating of 50°C

Correct Installation Example

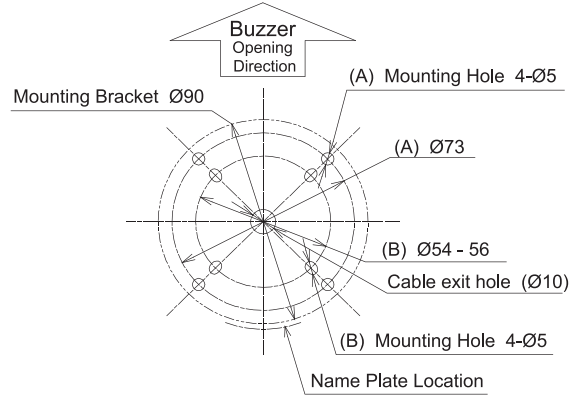


* Follow proper mounting installation instructions.

Incorrect Installation Example

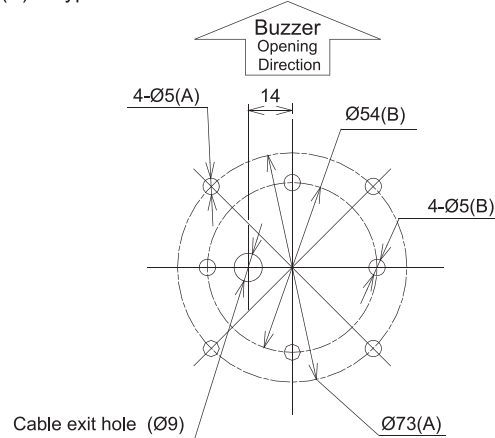


MR6-□02(B) Type



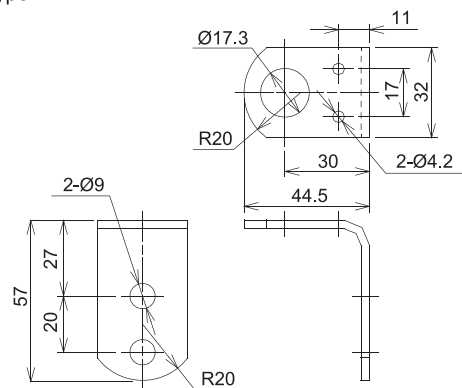
Installation Dimension Drawing

MR6-□02(B)Q Type



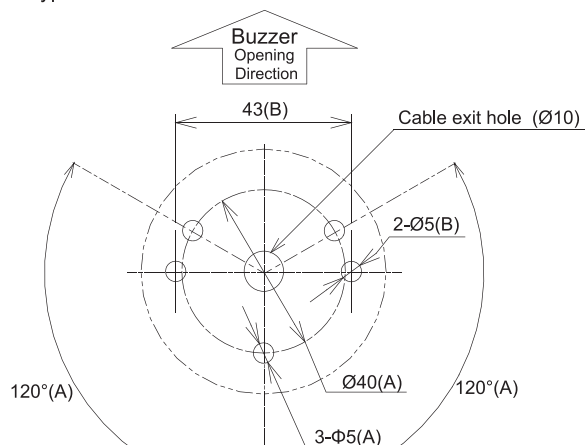
Installation Dimension Drawing

MR6-□02(B)L Type



Mounting Angle

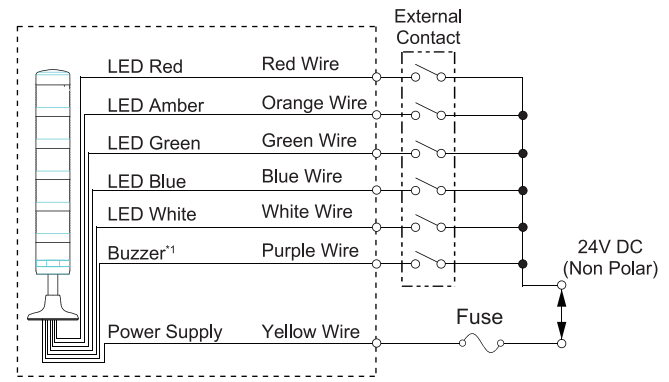
MR6-□02(B)W Type



Installation Dimension Drawing

5 Wiring

- Be sure the power is disconnected before installing this product. Failure to comply may result in damage to the internal circuitry and the danger of electric shock due to short-circuiting.
- Be sure to place an external fuse on the power supply side, as indicated in the wiring example. Damage to the internal circuitry can be prevented in cases of an emergency, such as a wiring mistake.
- Properly wire and use solder less contacts, etc., For good connections. After wiring is performed, unused wires should be covered with insulation tape or by other methods of insulation.
- The lead wire gauge is for "AWG24".



*1 The buzzer wiring is only used for products with buzzers included.

Wiring Example

Recommended External Fuse
250V 1A Time Lag Type

6 Specifications

Model	MR6-□02□	MR6-□02B□
Rated Voltage	24V DC (Non Polar)	
Operating Voltage Range	21.6V DC - 26.4V DC	
LED Signal Wire Current	Red/Green:50mA Amber/Blue/White : 45mA	
LED Contact Capacity	$I_s \geq 60\text{mA}$ $V_s \geq 26.4\text{V DC}$	
Buzzer Signal Wire Current	—	8mA
Buzzer Contact Capacity	—	$I_s \geq 15\text{mA}$ $V_s \geq 26.4\text{V DC}$

This product has been tested and found to comply with the limits for a Class A device. These limits are designed to provide reasonable protection against harmful interference when the equipment is operated in a commercial environment. This product must not be used in residential areas.