

Drawing No.	Rev.	Page
LR10-001-W18	A	1 / 1

SPECIFICATIONS

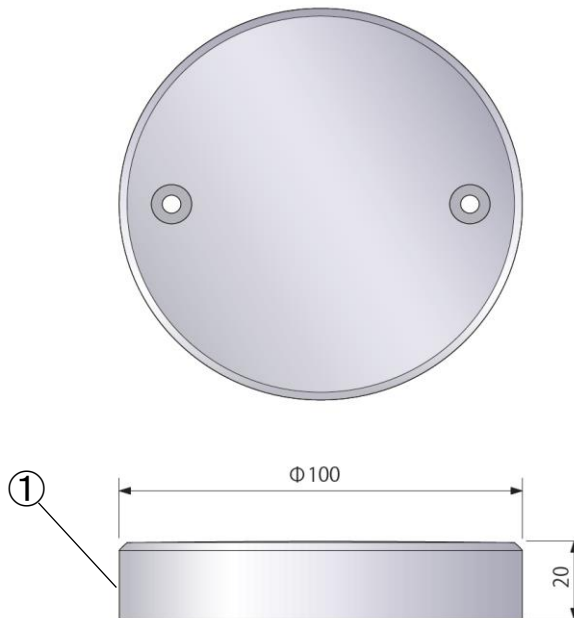
[1.General Specifications]

Model	LR10-001
Compatible models	LR10-E-□
Mass (Tolerance ±10%)	36g
Color	Off-White
Remarks	There are no contents of controlled substances exceeding the threshold for the RoHS Directive.


[2.Outer Dimensions]

(Unit:mm)

LR10-001



Number	Name	Material	UL Flammability
1	Head Cover S	PC	V-2

Accessory※
O-ring,Silicone

2pcs