

**Notice to Customer** Thank you very much for purchasing our PATLITE product.  
 • Request the installation and wiring be performed by a professional contractor if construction work is involved.  
 • Prior to installation, read this manual thoroughly before using this product to ensure correct use.  
 • If there are any questions concerning this product, refer to the contact information at the end of this document and contact your nearest PATLITE Sales Representative.

**Notice to Contractor** • Read this manual carefully prior to installation. • Be sure to return this manual to the customer.

## 1 Read this First (Safety Precautions)

In order to prevent any damage to the user and other personnel or to assets, note the following:

**Warning** Indicates an imminently dangerous condition: failure to follow the instructions may lead to death or serious injury.

**Caution** Indicates a potentially dangerous condition: failure to follow the instructions may lead to slight injury or property damage.

### Warning

- To prevent from short-circuits, electric shock or damage, observe the following:
  - Be sure the power is disconnected before replacement or repair.
  - Use this product in a properly maintained condition.
- Request the installation and wiring be performed by a professional contractor if construction work is involved. Failure to comply may result in fire, electric shock or falling from high places may occur.

### Caution

- Do not operate this product without the head cover or LED unit. Possible cause of failure may occur.
- After installation, do not use this product to climb up onto the equipment with. Failure to comply will result in product damage and/or falling off the machinery.
- When removing covers or packing from the partition, which is attached to this product, be careful not to snag the product. Failure to comply may result in damage to the product.

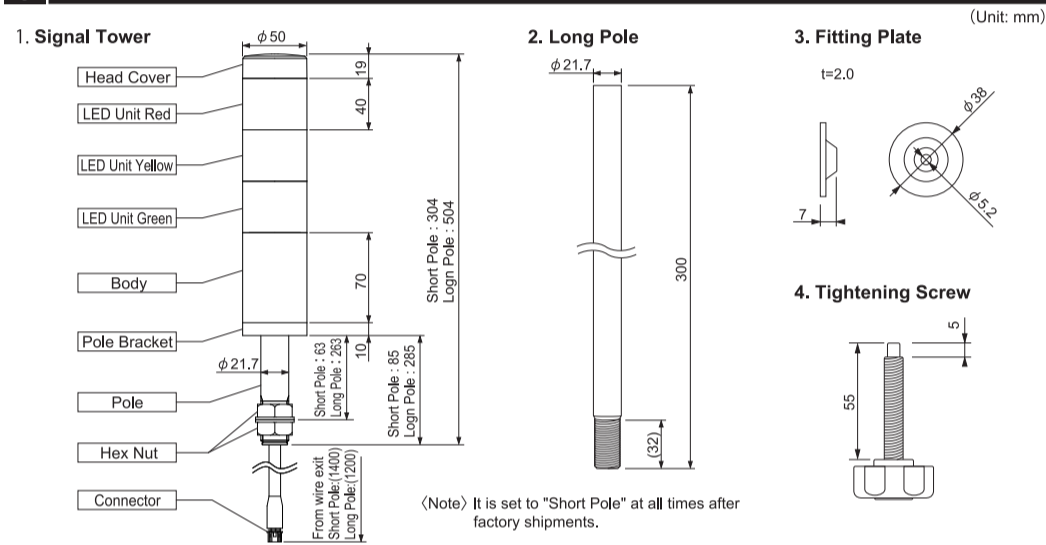
**Notice**

- To ensure proper safety while using the signal tower, observe the following:
  - Perform periodic pre-maintenance. -As a precaution against problems occurring, use this product together with other equipment.
  - Be sure to discharge any static electricity from the body before handling static sensitive parts of this product. (To prevent damage from static electricity, touch hands or other body parts to metals or an earth ground to discharge the body from static charge.)
  - Use a soft cloth moistened with water when the LED Unit or body must be cleaned up. (Do not use thinner, benzine, gasoline or oil.)
- To ensure safety when this product is installed onto equipment, observe the following:
  - Do not remove parts beyond those designed to be removed from this product. -Do not modify or disassemble this product.

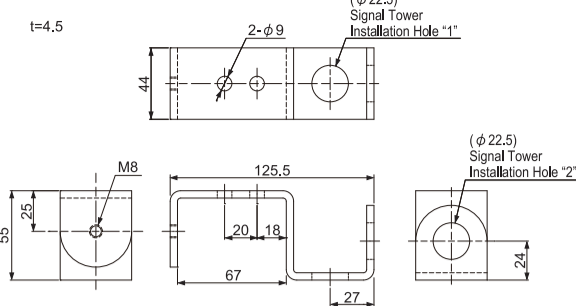
## 2 Product Checklist

- The contents included for this product are listed below.
- 1. Signal Tower (1 pc.) 2. Long Pole (1 pc.) 3. Fitting Plate (1 pc.) 4. Tightening Screw (1 pc.) 5. Bracket (1 pc.)
- 6. Tapping Screw (2 pcs.) 7. Double-sided Tape (1 pc.) 8. Switch Box (1 pc.) 9. Instruction Manual (4 pc.) 10. AC Adaptor (1 pc.)

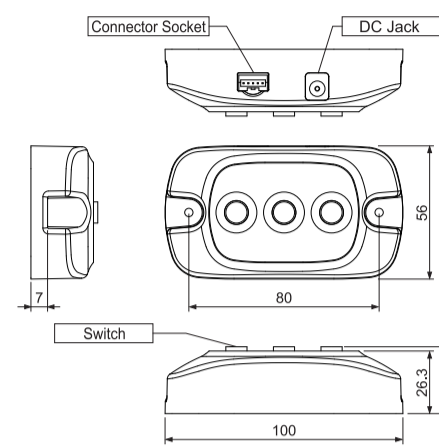
## 3 Part Names and Dimensions



## 5. Bracket



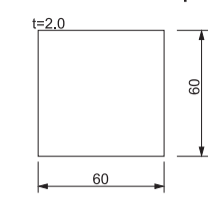
## 8. Switch Box



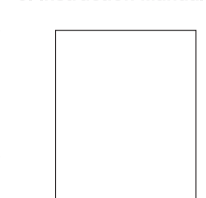
## 6. Tapping Screw



## 7. Double-sided Tape



## 9. Instruction Manual



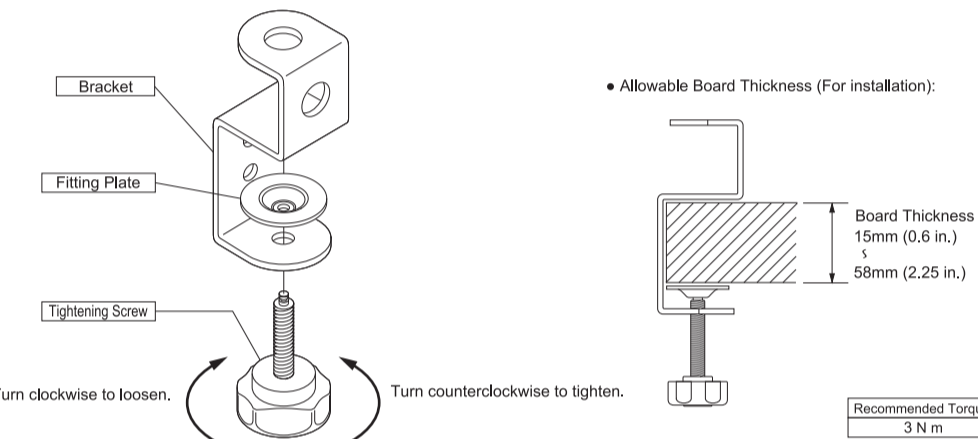
## 4 How to Install

### Notice

- The following requirements are necessary for proper installation:
  - Install the signal tower where excessive vibration is not present.
  - Install the signal tower on a level surface.
  - Only install the signal tower in an upright position.
- Install the signal tower on a sturdy surface.

### 4.1 How to install or replace the tightening screw

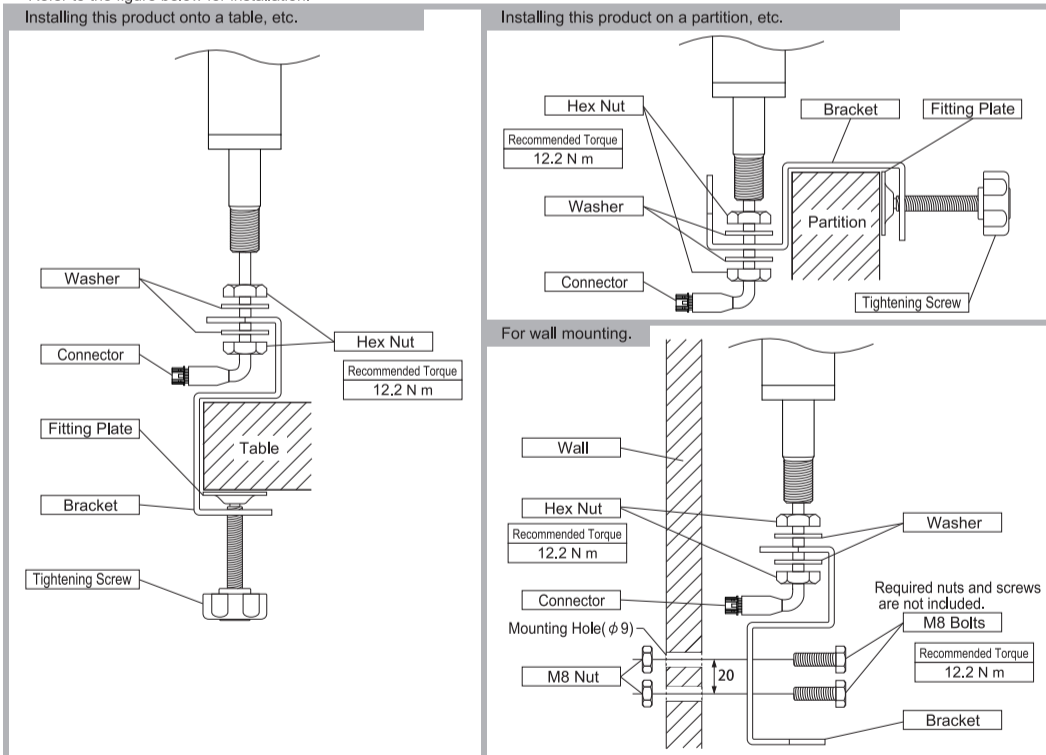
- To loosen the Tightening Screw, turn it clockwise as shown in the figure. To tighten the screw, turn it counterclockwise.



## 4.2 Product Installation

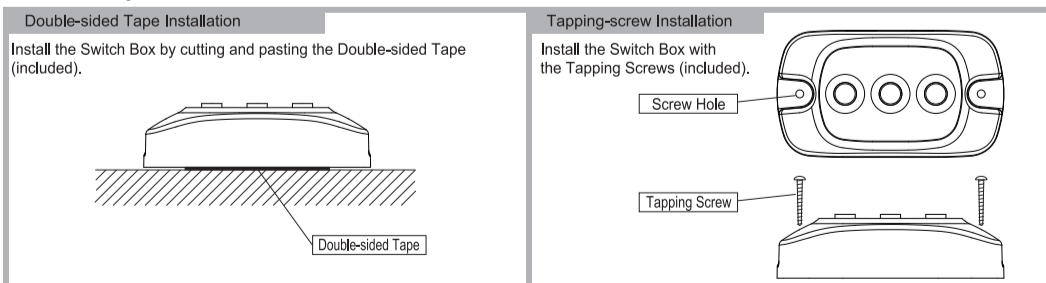
**Caution** Install this product with the proper tightening torque which matches the strength of the installation location. Failure to comply may result in damage to the product or the attaching installation location.

- Refer to the figure below for installation.



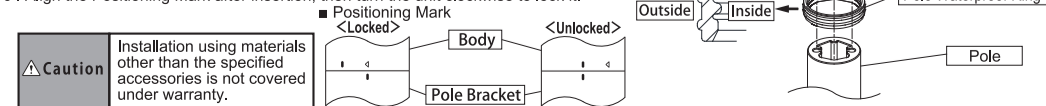
## 4.3 Switch Box Installation

- Refer to the figure below for installation.



## 4.4 Replacing the Signal Tower Pole

- While holding the Pole Bracket, turn the body counterclockwise, until it unlocks, then pull it upwards to remove.
- Remove the Binding Head Tapping Screw from the Pole Bracket. Remove the Pole and the Pole Waterproof Ring.
- Re-install the removed Pole Waterproof Ring into the Pole Bracket. Referring to the figure on the right, check that the two ribs are on the outside.
- Insert the replacement pole into the Pole Bracket. The pole has an inserting direction.
- Re-install the removed Binding Head Tapping Screw (2 pcs.) from the top side of the Pole Bracket and tighten it.
- Align the Positioning Mark after insertion, then turn the unit clockwise to lock it.



**Caution** Installation using materials other than the specified accessories is not covered under warranty.

## 5 Wiring / Operation Instructions

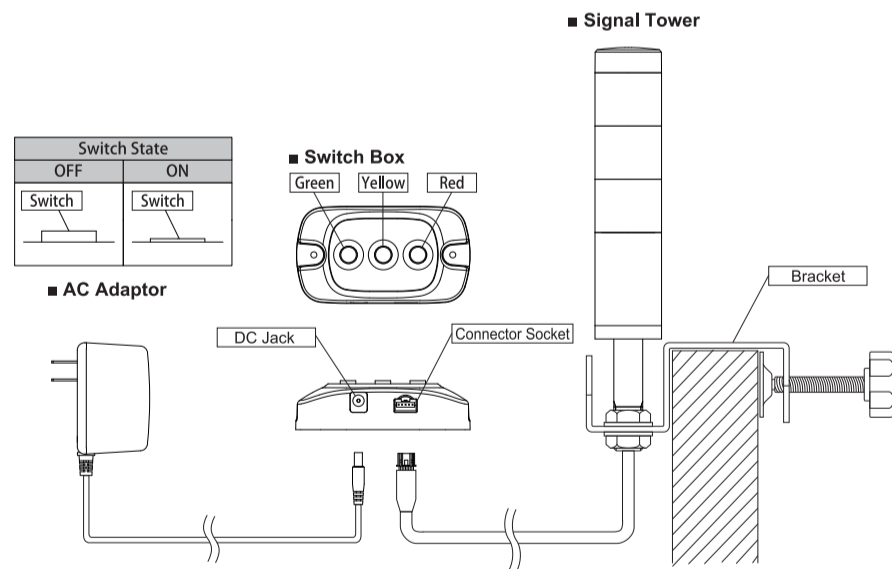
### Warning

- Be sure the power is disconnected before wiring. Possible cause of short-circuiting may occur.
- Ensure the proper working voltage is used and that alternating current is properly applied. Possible cause of combustion may occur.

### Caution

- Do not connect or operate with wet hands. Possible shock and personal injury may occur.
- Do not plug any other AC Adapter into the DC Jack. Product failure may occur.
- Do not pull the cable or push it inside the body. Product failure may occur.

- After connecting the connector cable of this product into the connector socket located on the side of the Switch Box, then plugging the DC Jack into the DC Plug, insert the AC Adaptor into an AC (Range from 100VAC to 240VAC) outlet. Each time the switch is pressed, the corresponding Signal Tower LED unit switches alternately between lit and unlit modes.



## 6 Specifications

Model		HSST-3M2N-RYG+FB278
Rated Voltage	Total System	100~240VAC (50/60Hz)
	Signal Tower	24VDC
Operating Voltage Range	Total System	Rated Voltage ±10%
	Signal Tower	When all 3 tiers are on
Rated Power Consumption	Max. Total System	4W
	Signal Tower	0.14A
Operating Ambient Temperature		0°C~+40°C
Mounting Location		Indoors (Dry location only)
Mounting Direction		Upright
Mass (Tolerance ±10%)	Signal Tower (Short Pole)	0.36kg
	Signal Tower (Long Pole)	0.47kg
	Bracket	0.33kg
	Switch Box	0.07kg
	Fitting Plate, Tightening Screw	0.05kg
Conformity Standards		UL48, CSA-22.2 No. 207

- Replacement Parts
- Head Cover 50
  - O ring 50
  - Filter Sheet 50
  - Pole Bracket 50
  - Pole Waterproof Ring
  - Bracket
  - Switch Box
  - Accessory Assembly (Fitting Plate, Tightening Screw, Double-sided Tape, Tapping Screw)
  - Double-sided Tape

(Note) • Dimensions and specifications may change without notice due to continual product improvement.  
 • PATLITE and the PATLITE logo is a trademark, or registered trademark of the PATLITE Corporation of Japan and each country.

株式会社 パトライト PATLITE Corporation

www.patlite.co.jp

【受付】月～金 9:00～17:00  
 土・日・祝日 9:00～17:00 ●技術・修理相談窓口 0800-0120-497-090  
 ※ご注文・価格・納期等は、販売店または各営業所様点にお問い合わせください。

**PATLITE Corporation** (G2)

PATLITE Corporation @Head office	www.patlite.com/
PATLITE (U.S.A.) Corporation	www.patlite.eu/
PATLITE Europe GmbH @Germany	www.patlite.eu/
PATLITE (SINGAPORE) PTE LTD	www.patlite-ap.com/
PATLITE (CHINA) Corporation	www.patlite.cn/
PATLITE KOREA CO., LTD.	www.patlite.co.kr/
PATLITE TAIWAN CO., LTD.	www.patlite.tw/
PATLITE (THAILAND) CO., LTD.	www.patlite.co.th/
PATLITE MEXICO S.A. de C.V.	www.patlite.com.mx/