

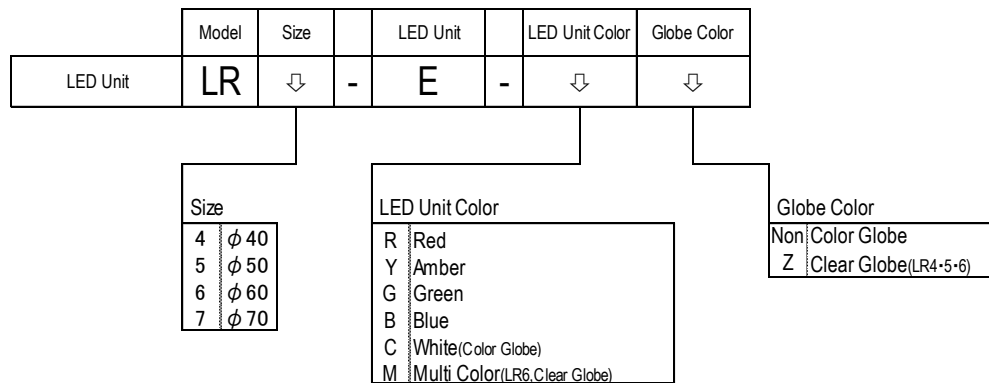
# SPECIFICATIONS

## 1. General Specifications

Model	LR□-E-□□	
Operating Voltage	24V DC	
Operating Ambient Temperature	-20°C ~ +50°C	
Operating Ambient Humidity	Less than 90% RH (No Condensation)	
Mass (Tolerance±10%)	LR4	0.035kg
	LR5	0.04kg
	LR6	0.06kg
	LR7	0.065kg
Outer Dimensions	Refer to the 3.Outer Dimensions	
Remarks	Due to the characteristics of the LED elements, a variation in difference of the color tone and brightness of every product may occur.	
	There are no contents of controlled substances exceeding the threshold for the RoHS Directive.	

## 2. Model

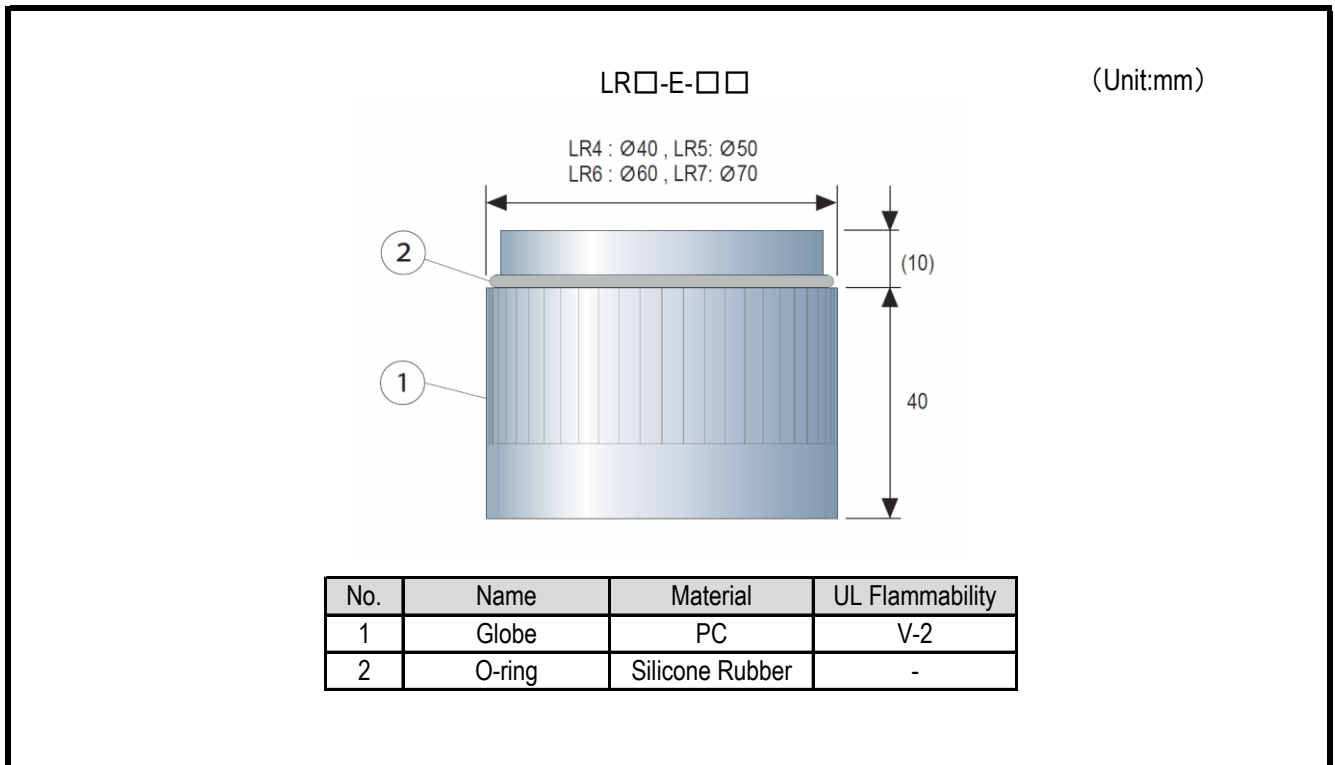
### 2.1.1 Model Number Configuration



### 2.1.2 Model Number Example

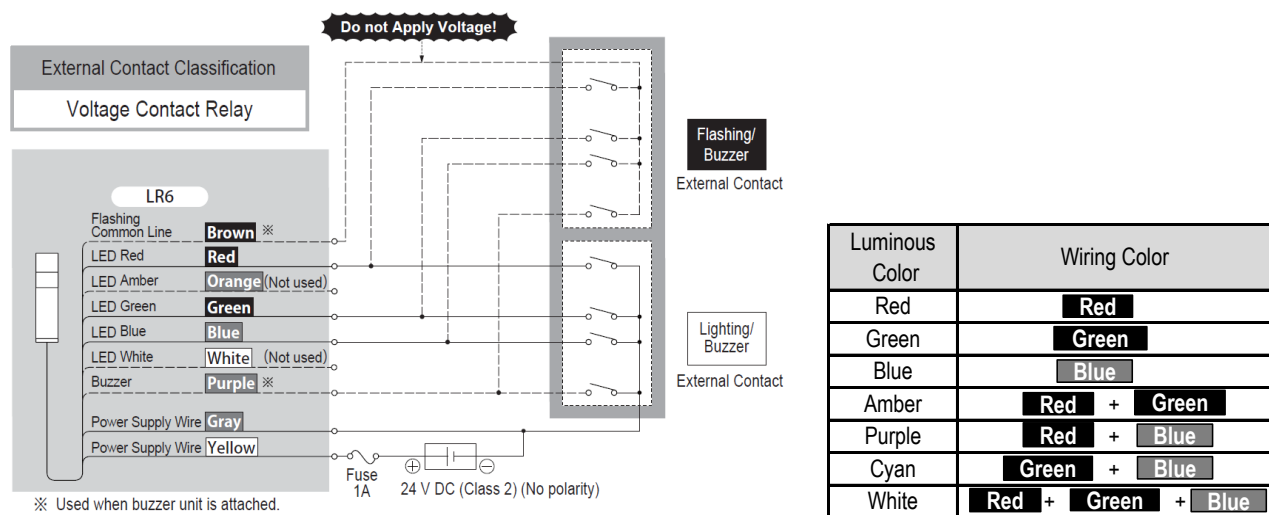
LED Unit	LR4-E-C ● φ 40 ● LED Unit ● White ● Color Globe(Clear)
	LR4-E-YZ ● φ 40 ● LED Unit ● Amber ● Clear Globe
	LR5-E-R ● φ 50 ● LED Unit ● Red ● Color Globe(Red)
	LR6-E-MZ ● φ 60 ● LED Unit ● Multi Color ● Clear Globe

### 3.Outer Dimensions

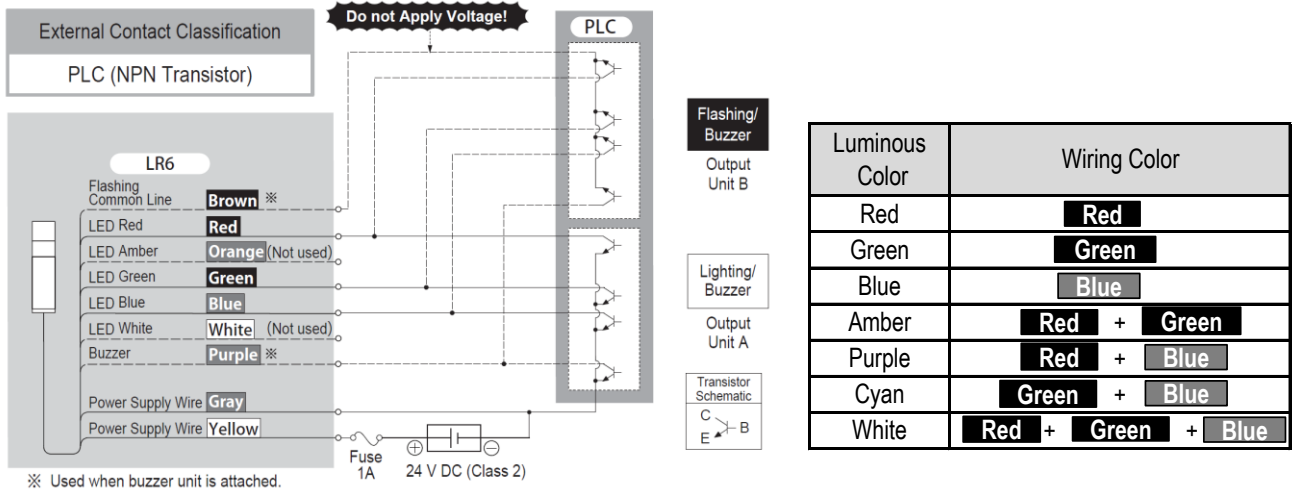


### 4.Multi Color LED Unit (LR6-E-MZ) Wiring Diagram

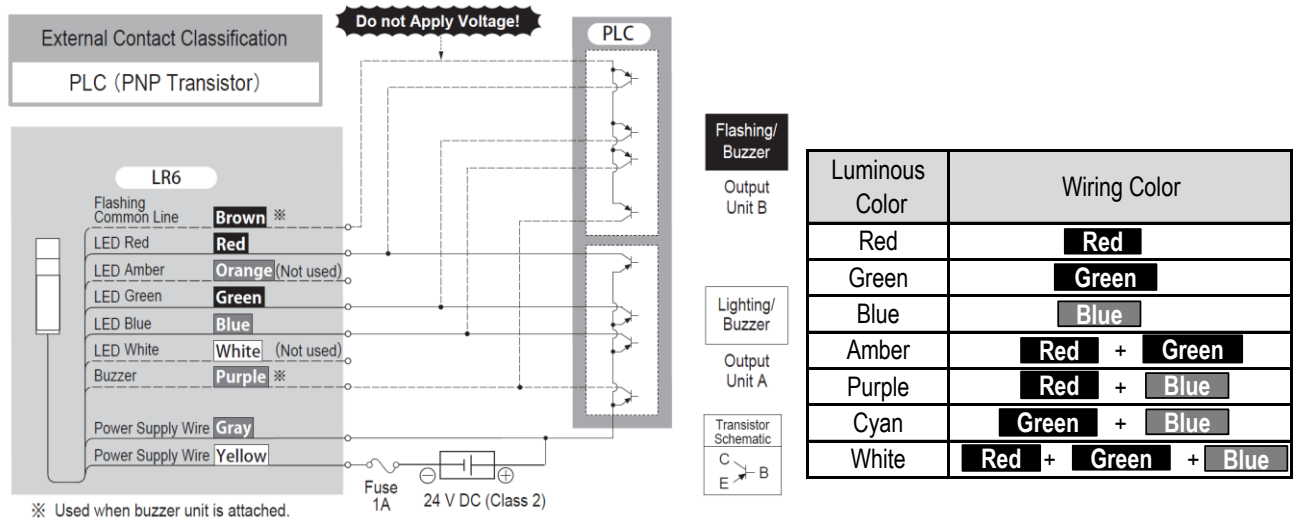
#### 4.1.1 【LR6-02】Voltage Contact Relay Wiring Example



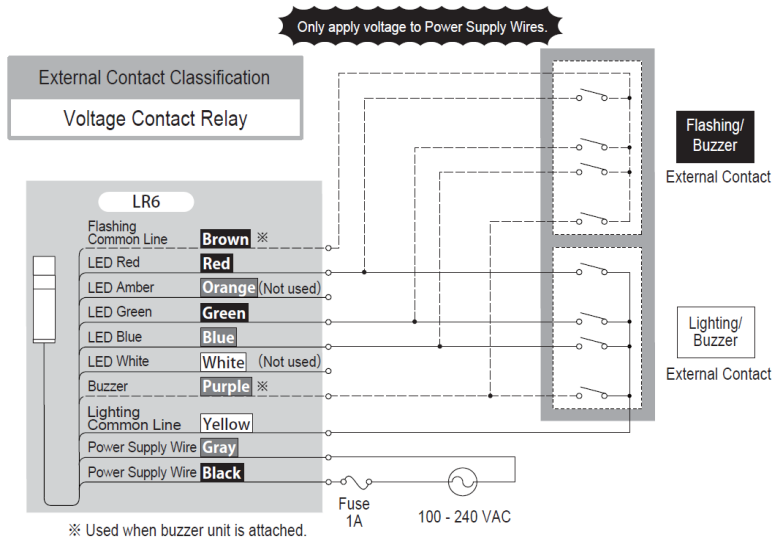
#### 4.1.2 【LR6-02】PLC(NPN Transistor) Wiring Example



#### 4.1.3 【LR6-02】PLC(PNP Transistor) Wiring Example

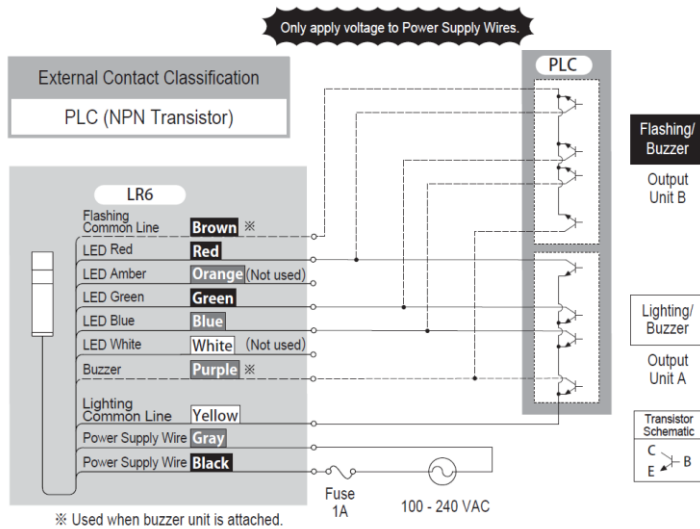


#### 4.2.1 【LR6-M2】Voltage Contact Relay Wiring Example



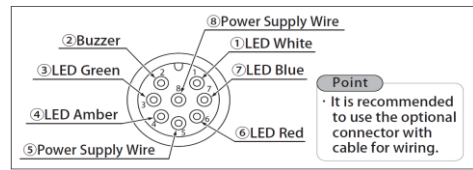
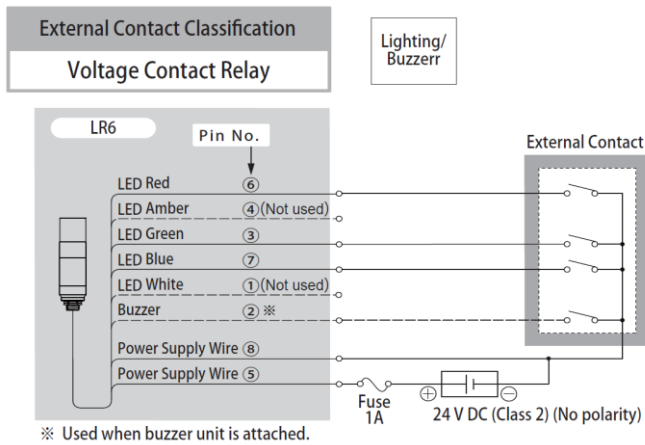
Luminous Color	Wiring Color
Red	<b>Red</b>
Green	<b>Green</b>
Blue	<b>Blue</b>
Amber	<b>Red + Green</b>
Purple	<b>Red + Blue</b>
Cyan	<b>Green + Blue</b>
White	<b>Red + Green + Blue</b>

#### 4.2.2 【LR6-M2】PLC(NPN Transistor) Wiring Example



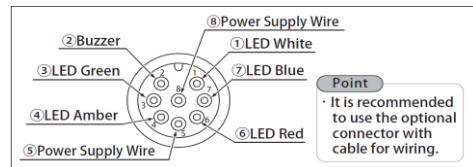
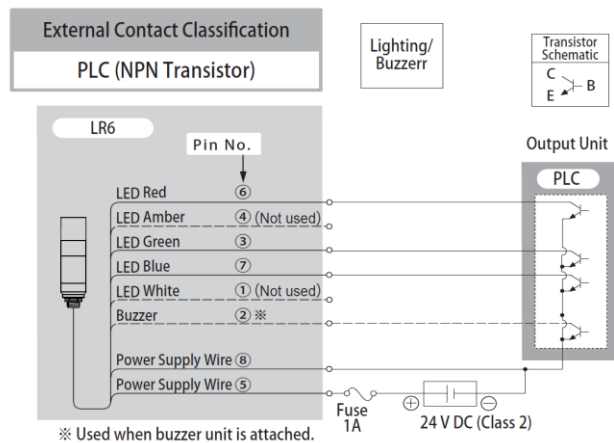
Luminous Color	Wiring Color
Red	<b>Red</b>
Green	<b>Green</b>
Blue	<b>Blue</b>
Amber	<b>Red + Green</b>
Purple	<b>Red + Blue</b>
Cyan	<b>Green + Blue</b>
White	<b>Red + Green + Blue</b>

### 4.3.1 【LR6-02WC】Voltage Contact Relay Wiring Example



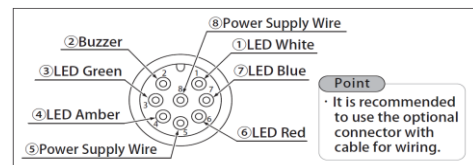
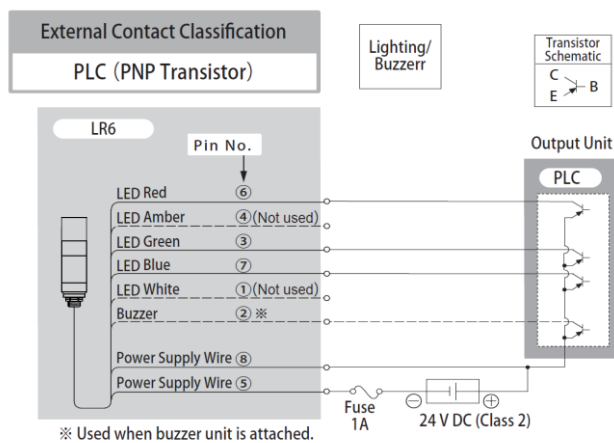
Luminous Color	M12 Connector Pin No.
Red	⑥
Green	③
Blue	⑦
Amber	⑥ + ③
Purple	⑥ + ⑦
Cyan	③ + ⑦
White	⑥ + ③ + ⑦

### 4.3.2 【LR6-02WC】PLC(NPN Transistor) Wiring Example



Luminous Color	M12 Connector Pin No.
Red	⑥
Green	③
Blue	⑦
Amber	⑥ + ③
Purple	⑥ + ⑦
Cyan	③ + ⑦
White	⑥ + ③ + ⑦

### 4.3.3 【LR6-02WC】PLC(PNP Transistor) Wiring Example



Luminous Color	M12 Connector Pin No.
Red	⑥
Green	③
Blue	⑦
Amber	⑥ + ③
Purple	⑥ + ⑦
Cyan	③ + ⑦
White	⑥ + ③ + ⑦