

<h1>SPECIFICATIONS</h1>

[1.General Specifications]

Product Name	Wall Mount Bracket	Wall Mount Bracket Cover	
Model	SZK-101 /SZK-102 /SZK-103	SZK-104/SZK-105	
Mounting Direction	Upright		
Mass (Typ.)	SZK-101	0.15kg	
	SZK-102	0.19kg	
	SZK-103	0.51kg	
	SZK-104	0.06kg(Accessory Remove)	
	SZK-105	0.17kg(Accessory Remove)	
Protection Rating	SZK-101	IP65 (With product attachment)	SF08-M□KT□/SL08-M□KT□ SF10-M□KT□/SL10-M□KT□
		IP65 (when used with product and SZW-102 Rubber Gasket attachment)	SF08-M□JN/SL08-M□JN/SKS-M□J
		IP65 (when used with product and SZW-103 Rubber Gasket attachment)	SF10-M□JN/SL10-M□JN SKH-M□J□/SKH-M□T□
		IP23 ※ (With product attachment)	SF08-M□JN/SL08-M□JN SKS-M□J/SF10-M□JN/SL10-M□JN SKH-M□J□/SKH-M□T□
	SZK-102	IP23(With product attachment) ※	
	SZK-103	IP23(With product attachment)	
	SZK-104	IP23(When used with product and SZK-102 Wall Mount Bracket) ※	
	SZK-105	IP23(When used with product and SZK-103 Wall Mount Bracket)	
Environmental Condition	Upright		
Remarks	There are no contents of controlled substances exceeding the threshold for the RoHS Directive. ※Excluding Terminal Block Opening of SKH-M□T□.		

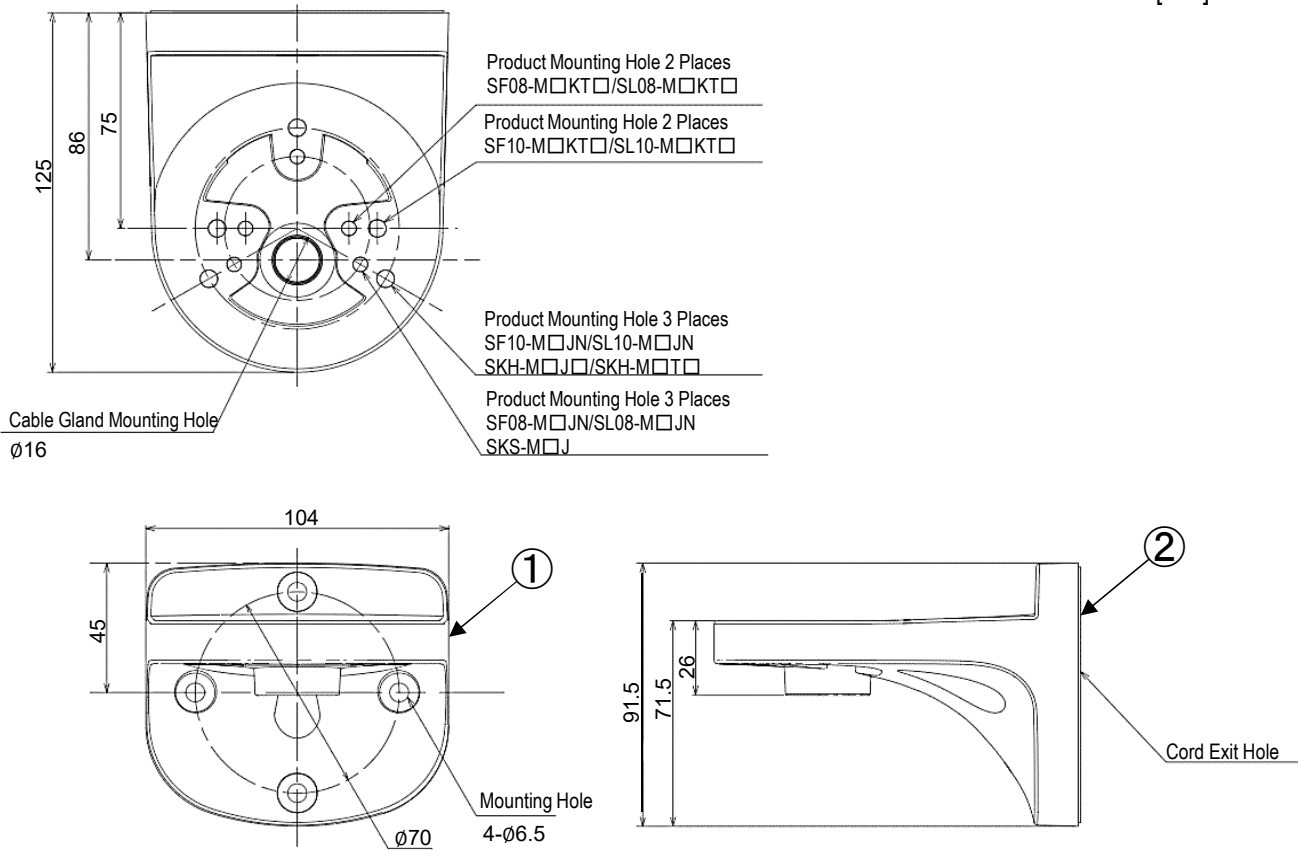
[2.Model Number Configuration]

Model	Applicable Models
Wall Mount Bracket SZK	-
↓	
Applicable Models	
101	SF08-M□KT□/SL08-M□KT□/SF10-M□KT□/SL10-M□KT□ SF08-M□JN/SL08-M□JN/SKS-M□J SF10-M□JN/SL10-M□JN/SKH-M□J□/SKH-M□T□
102	SF08-M□KT□/SL08-M□KT□/SF10-M□KT□/SL10-M□KT□ SF08-M□JN/SL08-M□JN/SKS-M□J SF10-M□JN/SL10-M□JN/SKH-M□J□/SKH-M□T□
103	SL15-M□KTN/SL15-M□JN/SKP-M□J
104	SZK-102
105	SZK-103

[3.Outer Dimension Drawing]

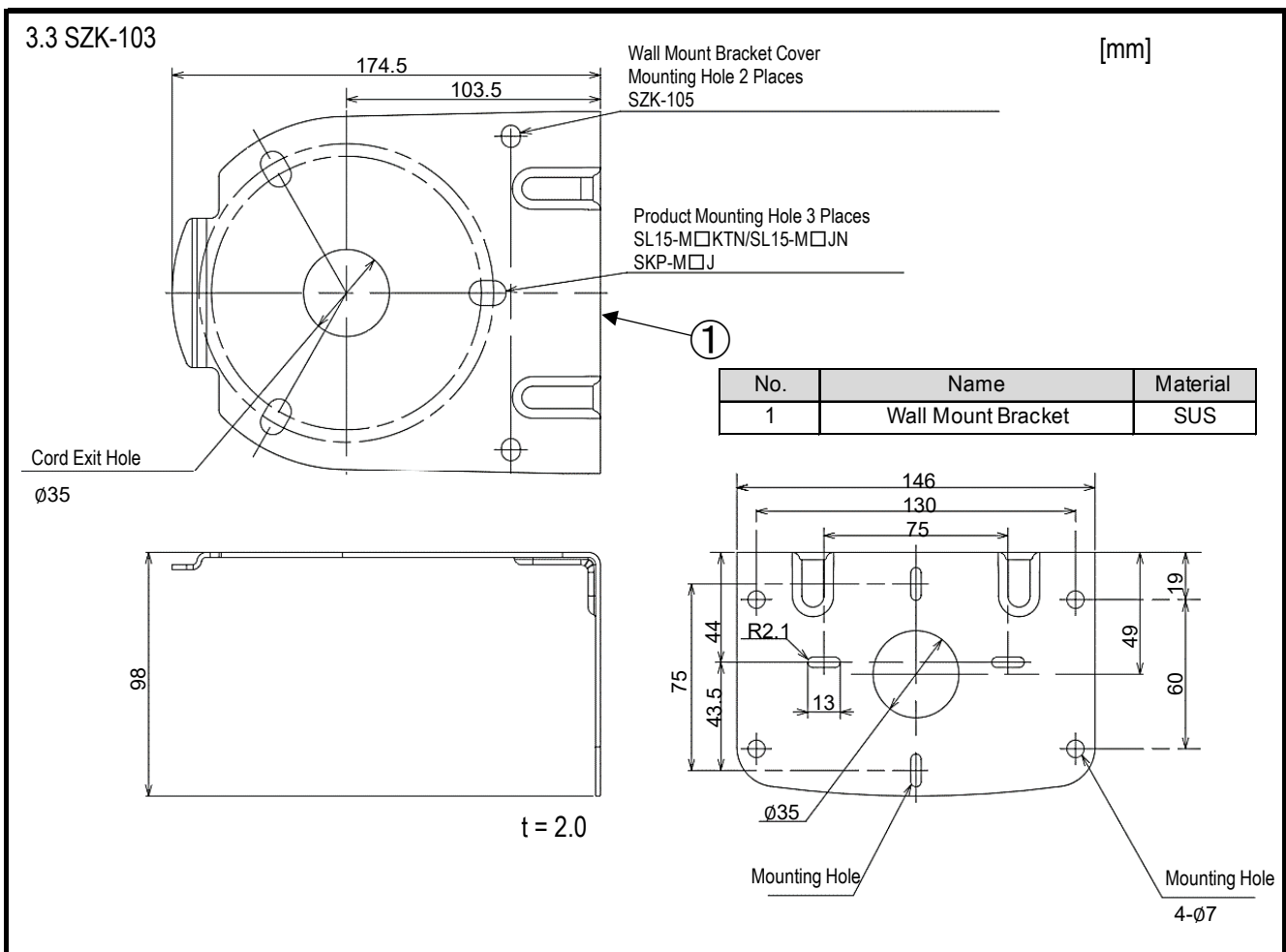
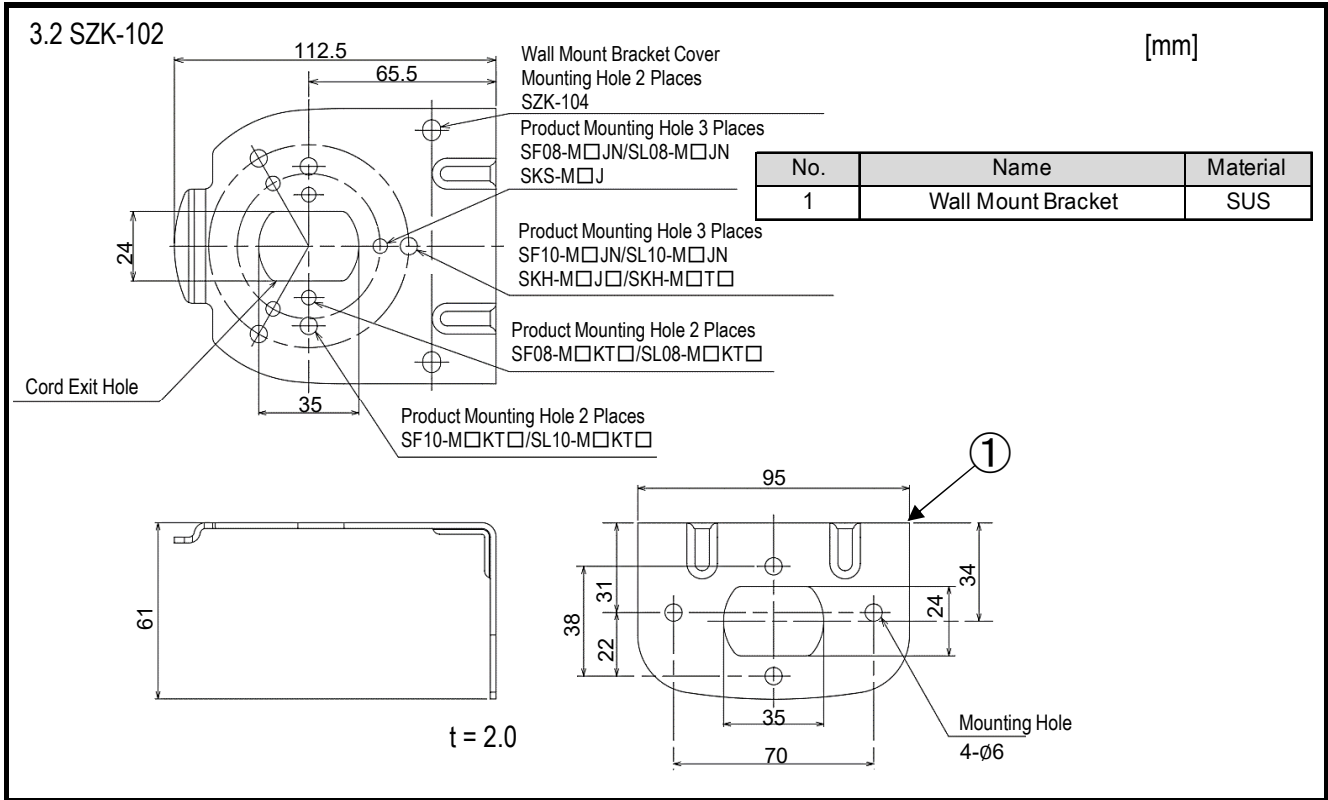
3.1 SZK-101

[mm]



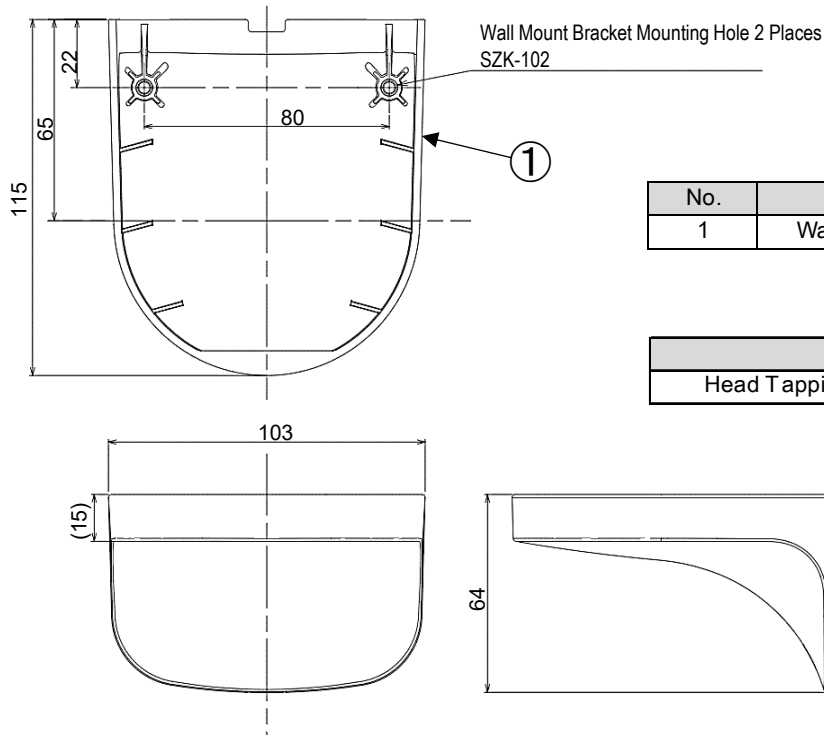
※ The Product Mounting Holes and Cable Gland Mounting Holes are perforated.

No.	Name	Material
1	Wall Mount Bracket	PC
2	Waterproof Sheet t = 1.0	CR



3.4 SZK-104

[mm]

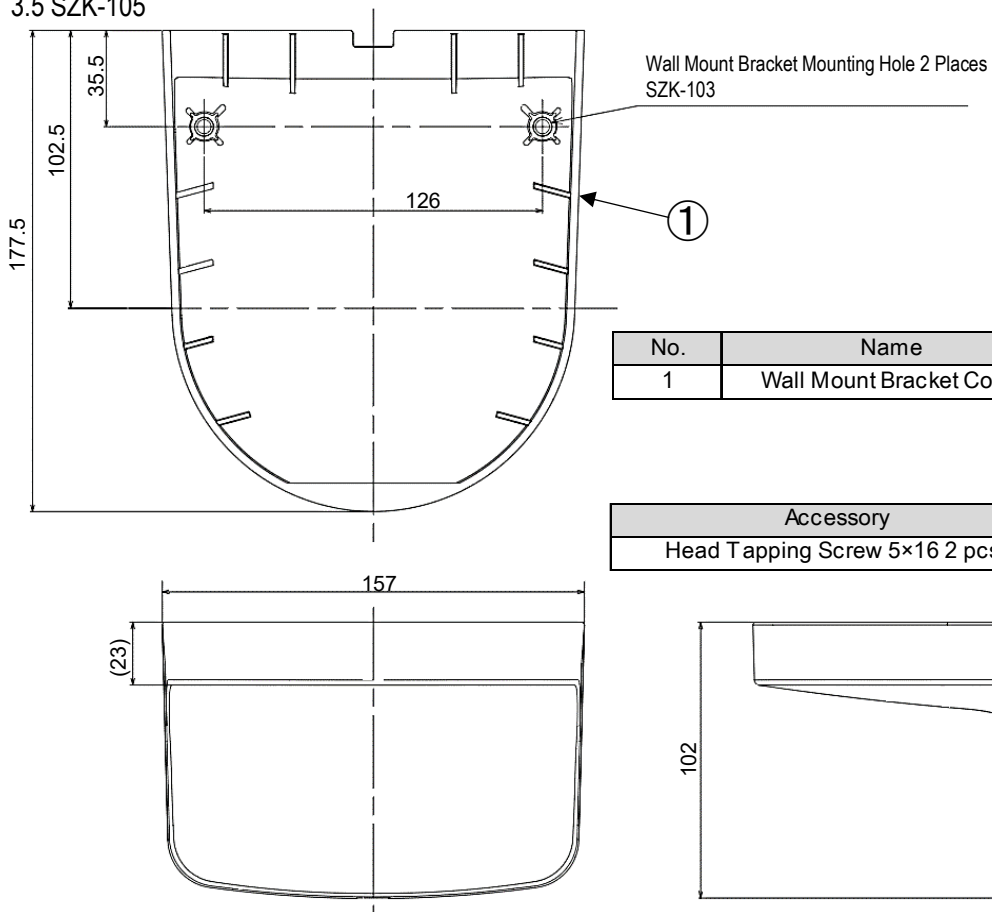


No.	Name	Material
1	Wall Mount Bracket Cover	PC

Accessory	Material
Head Tapping Screw 4×12 2 pcs.	SUS

3.5 SZK-105

[mm]



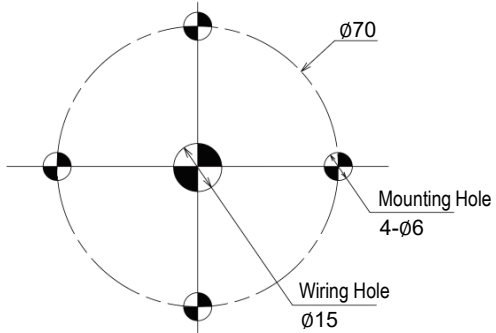
No.	Name	Material
1	Wall Mount Bracket Cover	PC

Accessory	Material
Head Tapping Screw 5×16 2 pcs.	SUS

[4.Mounting Dimensional Drawing]

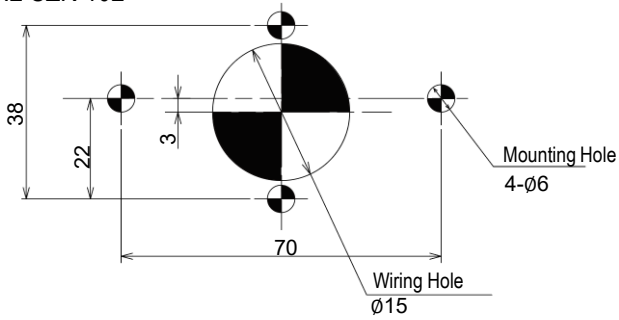
4.1 SZK-101

[mm]



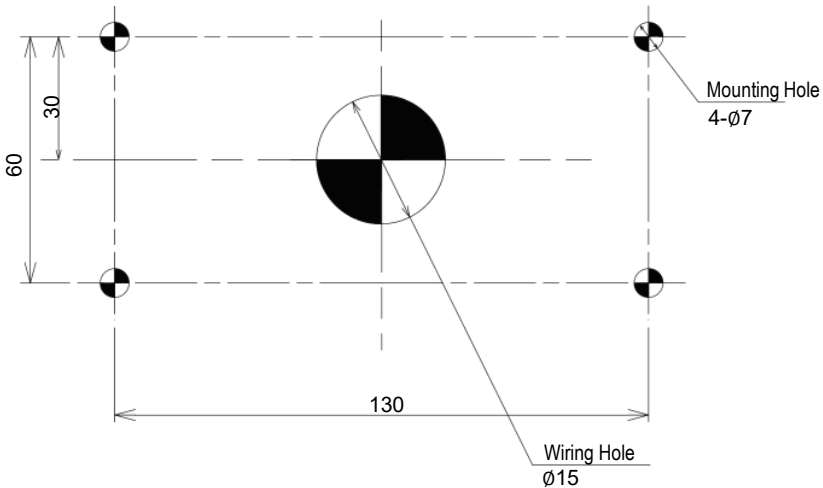
Screw/Nut	Recommended Tightening Torque
M5	1.4N·m

4.2 SZK-102



Screw/Nut	Recommended Tightening Torque
M5	1.4N·m

4.3 SZK-103



Screw/Nut	Recommended Tightening Torque
M6	2.4N·m