

1

2

3

4

5

6

7

8

Model No. Configuration

LCE-□EXFBW-□□□□

■ Light Style

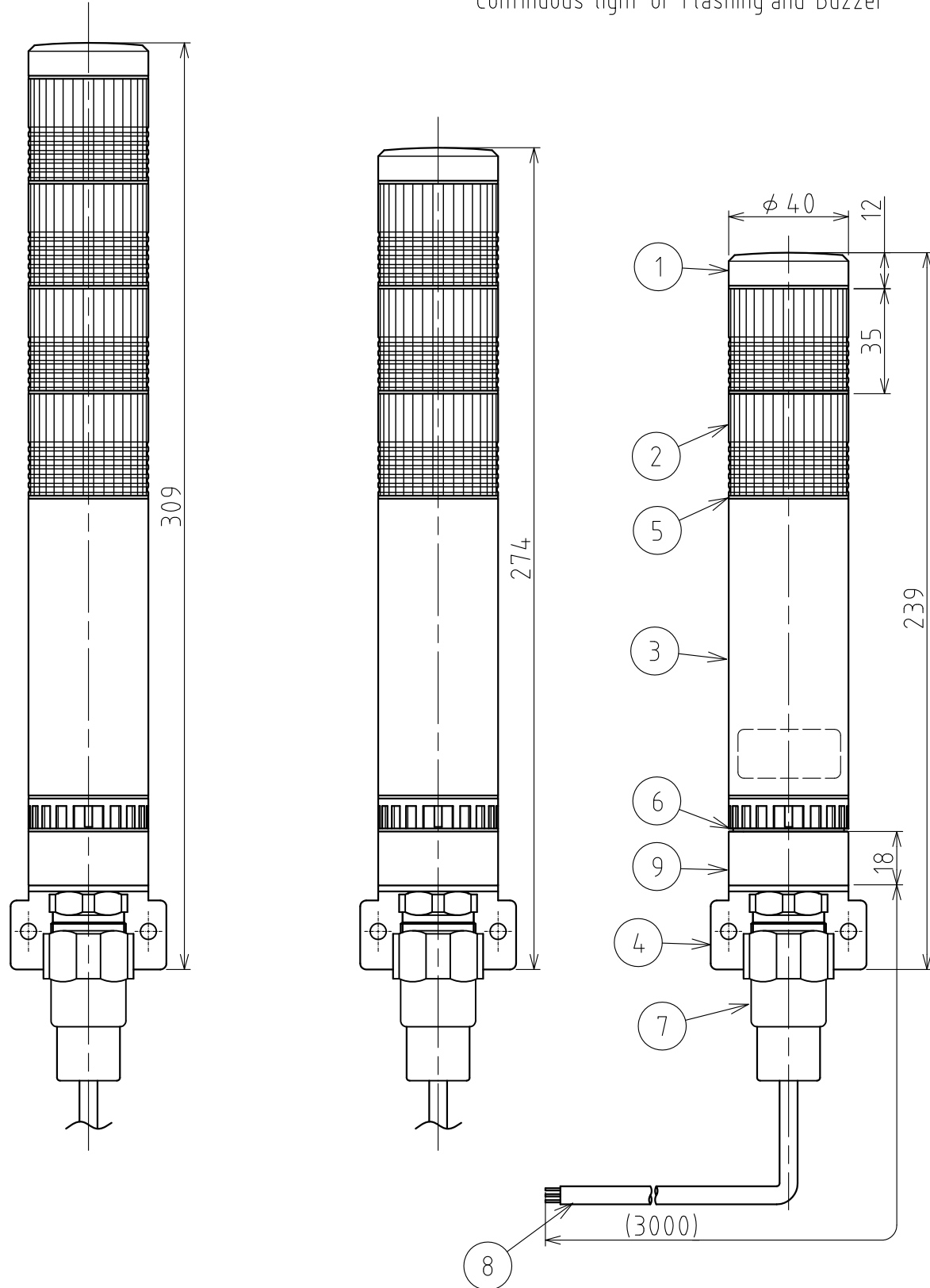
- 2: 2 lights
- 3: 3 lights
- 4: 4 lights

■ LED Unit Color

(R: Red/Y: Amber/G: Green/B: Blue/C: White)
 * Arranged in top-to-bottom order.

■ Light Method

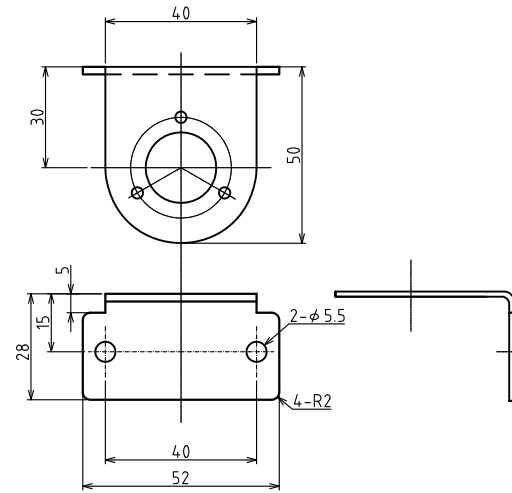
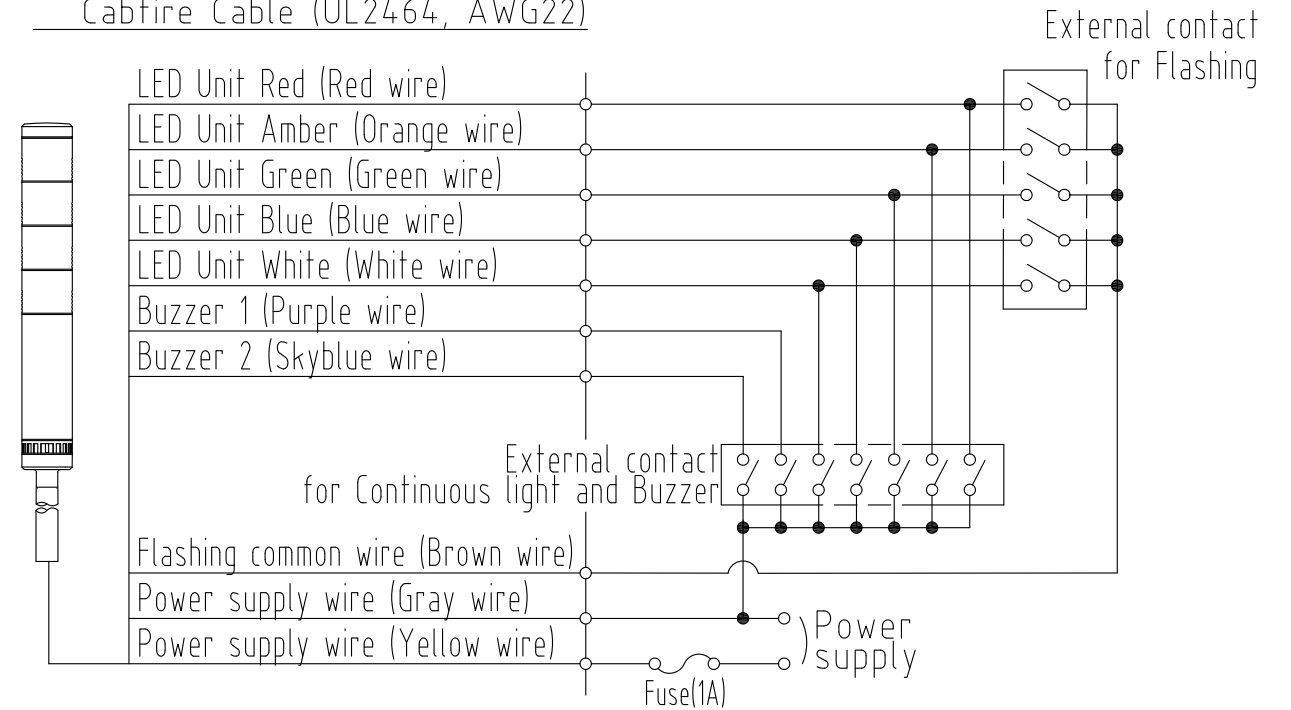
Continuous light or Flashing and Buzzer



指定公差 General tolerance	角度公差 ±[°] Angular tolerance ±[°]				寸法公差 ±[mm] Dimensional tolerance ±[mm]					符号 Sym.	年月日 Date	訂正履歴 Revisions		記印 Sgn.	検印 Chk.	
	短辺長さ Length of short side	~10	~50	~100	100	~6	~30	~120	~300	~1000	△-					
	精 f	1	0.5	0.3	0.1	中 m	0.1	0.3	0.5	0.7	1	△-				
	粗 v	3	1.5	1	0.5	粗 c	0.3	0.5	1	1.2	2	△-				

Wiring Example :

Cable (UL2464, AWG22)



PATLITE RoHS

Safety Certification

PRODUCT : Signal Tower
 Type of Protection : Ex nR II T4
 Rating : IP65
 Certificate Number : 13-KB4BO-0288
 Certification Body : Korea Testing Laboratory
 Date of Certification : 3 Jun 2013
 Manufacture : PATLITE Corporation

MODEL (Type)	VOLT. 24V DC
LCE-3EXFBW	AMP. 0.2A
Lot No. 13604E	

PATLITE Corporation
Made In Japan

Nameplate Example

No.	Part Name	Part No.	Qty	Material & Size & Finish	Remarks
		Name		Model	LCE-□EXFBW
		Dimensions, Wiring		Part No.	
3rd Angle	Unit mm	Scale	PATLITE Corporation		Drawing No. LCE-EXFBW-D00A-B

1

2

3

4

5

6

7

8