

Installation Bracket Instruction Manual SZW-060W

Notice to Customer

Thank you very much for purchasing our PATLITE product. Request the installation and wiring be performed by a professional contractor if construction work is involved.

- Prior to installation, read this manual thoroughly before using this product to ensure correct use.
- After reviewing this manual, if there are any questions regarding this product, please contact the nearest PATLITE office listed on the back cover of this manual.

Compatible Model	Signal Tower	LA6-□DWJW□, LA6-5AWJWB LA6-5DTNWB-POE
------------------	--------------	--

- × 1. This product is compatible with models manufactured from December, 2016. To verify the latest compatible options and model, please visit our homepage.
- 2. Be sure to read the instruction manual included with the compatible product in addition to this manual.
- 3. With the Signal Tower attached to this product, the protection rating is set to IP20.

To the Contractor

- Read this manual carefully, Prior to installation.
- Be sure to return this manual to the customer.

Symbols to indicate the degree of injury or damage

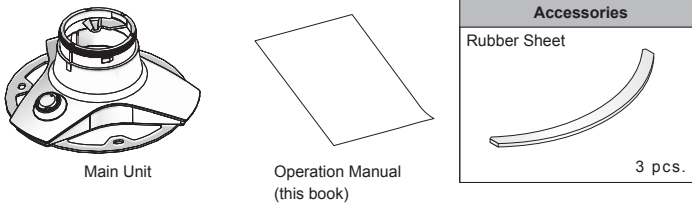
Examples of the graphic symbols

Degree	Symbol	Contents
Directions		Indicates when a procedure must be performed.

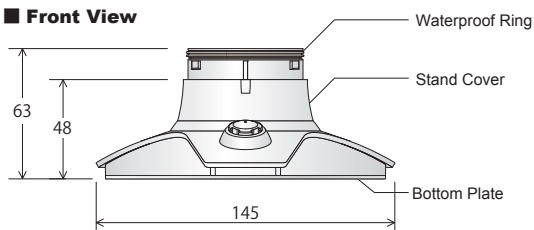
1 Safety Precautions

- Warning** ⚠ Use a soft cloth, etc., dampened with water to wipe the main signal tower unit. (Do not use cleaners containing chemicals such as thinner, alcohol, gasoline or oil.)
- ⚠ To ensure safety when this product is installed onto equipment, observe the following:
- Do not remove parts beyond those designed to be removed from this product.
 - Do not modify or disassemble this product.

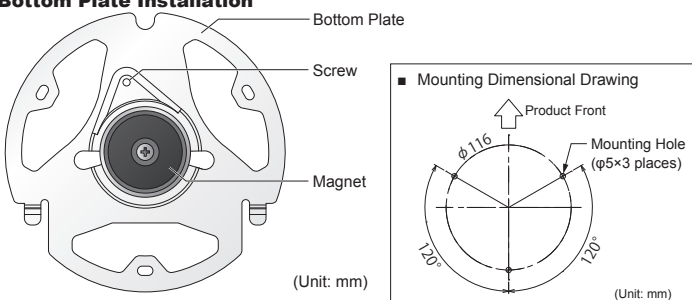
2 Contents



3 Part Names and Outer Appearance



Bottom Plate Installation



4 Specifications

Model	SZW-060W
Compatible Model	LA6-□DWJW□, LA6-5AWJWB, LA6-5DTNWB-POE
Mounting Location	Indoor Only
Mounting Direction	Upright Only
Protection Rating	IP20(Product Attachment)
Material	Stand Cover : ABS Bottom Plate , Screw : Steel Waterproof Ring : Rubber Rubber Sheet : Rubber Magnet : Magnet
Weight (Tolerance ±10%) ※Accessory Remove	250g
Remarks	There are no contents of controlled substances exceeding the threshold for the RoHS Directive.

5 How to Install

- Warning** ⚠ The following requirements are necessary for proper installation:
- Install the signal tower where excessive vibration is not present.
 - Install the signal tower on a sturdy surface.
 - Install the signal tower on a level surface.
- ⚠ Be sure to install the signal tower in an upright position.
- ⚠ Before placing the rubber sheet onto the bottom plate, be sure to remove dust, water, an oil, etc., on the bottom plate and the installation location.

- Remove the LA6 bracket.
- Loosen the screw on the main unit to remove the bottom plate. (Do not completely remove the screw from the bottom plate.)
- Referring to Step 1, run the wiring of the LA6 through the wiring holes and attach it to the LA6 Main Unit.
- The tab on the bottom of the stand cover is hooked in place and secured with a screw.
Recommended Torque
0.6 N/m (Standard)
- The rubber sheet is peeled from the yellow releasing paper, and is to be stuck onto the bottom plate. The transparent protection sheet on the rubber sheet is to be removed after attachment.

* Protection rating is set to IP20 in cases where a Signal Tower is attached to this product.

* The figure shows the most common installation circumstances, but cannot show for every possible circumstance.

PATLITE Corporation G2G

PATLITE Corporation ※Head office <http://www.patlite.com/>
4-1-3, Kyutaromachi, Chuo-ku, Osaka 541-0056 Japan

PATLITE (U.S.A.) Corporation <http://www.patlite.com/>
PATLITE Europe GmbH ※Germany <http://www.patlite.eu/>
PATLITE (SINGAPORE) PTE LTD <http://www.patlite.com/>
PATLITE (CHINA) Corporation <http://www.patlite.cn/>
PATLITE KOREA CO., LTD. <http://www.patlite.co.kr/>
PATLITE TAIWAN CO., LTD. <http://www.patlite.tw/>
PATLITE (THAILAND) CO., LTD. <http://www.patlite.co.th/>