

**Notice to Customer**

Thank you very much for purchasing our PATLITE product.  
 • This product requires installation and wiring work. Always have installation and wiring performed by a professional contractor.  
 • Read this manual thoroughly before performing maintenance, repairs or inspections. If there are any questions concerning this product, refer to the contact information at the end of this document and contact your nearest PATLITE Sales Representative.  
 • Below is the list of models that this product is compatible with.

Compatible Models	Network Signal Tower with Voice Annunciator - NHV Series
-------------------	--

\*1. Compatible models as of 1/2021. For the most up-to-date list of compatible models, please refer to our website.  
 2. Before use, be sure to also read the instruction manual for the compatible model.

**To the Contractor**

• Read this manual carefully prior to installation.  
 • Return this manual to the customer.  
 • If there are any questions concerning this product, refer to the contact information at the end of this document and contact your nearest PATLITE Sales Representative.

**1 Before you begin**

**About Safety Symbols**

• Following the guidelines on this manual are important in preventing injury or damage to users and property.  
 • Below are a list of key words that describe the severity of potential consequences when instructions are not followed properly.

	<b>WARNING</b> This symbol indicates, "Failure to follow the instructions may lead to death or serious injury."
	<b>CAUTION</b> This symbol indicates, "Failure to follow the instructions may lead to injury or property damage."

■ The following symbols explain the types of precautions that need to be followed.

	This symbol identifies "Prohibited" operations that should never be carried out.
	This symbol identifies "Mandatory" instructions that should always be carried out.

**Safety Precautions**

Do not modify or disassemble the product. Do not use or install the product in the following environments: where liquids such as water is present, where oil will splatter, or where it is humid or dusty. Failure to follow these instructions could result in fire, electric shock, or product failure. Do not put excessive weight on the product, such as using the product for climbing. Failure to comply may result in product damage and/or falling. Any installation requiring construction must be done by qualified personnel. Failure to follow this instruction could result in fire or electric shock. To prevent accidents when operating or maintaining this product, follow all general safety guidelines in addition to the safety guidelines described in this manual. PATLITE can not predict all circumstances of hazards while using this product. Therefore, not all safety hazards are listed in this manual.

Do not use this product near chemicals. This product could melt or become deformed if exposed to chemicals. Do not use chemicals (thinner, benzene, gasoline, oil, etc.) to clean the product. Failure to follow these instructions could result in discoloration and deterioration of the product. To clean this product, use a soft cloth dampened with water.

**2 Model Number Configuration**

NH-001: Wall Mounting Bracket  
 NH-002: Partition Mounting Bracket

**3 Package Contents**

**Wall Mounting Bracket [NH-001]**

Wall Mounting Bracket x 1

(Unit: mm)

Accessories		
Product Mounting Screws (M3 x 8) x 2	Hexagon Nuts with Flange (M4) x 4	Instruction Manual (this document) x 1

**Partition Mounting Bracket [NH-002]**

Partition Mounting Bracket x 1

(Unit: mm)

Accessories		
Tightening Screw (long screw) x 1	Tightening Screw (short screw) x 1	Metal Fitting x 1
Product Mounting Screws (M3 x 6) x 2	Instruction Manual (this document) x 1	

**4 Mounting Method**

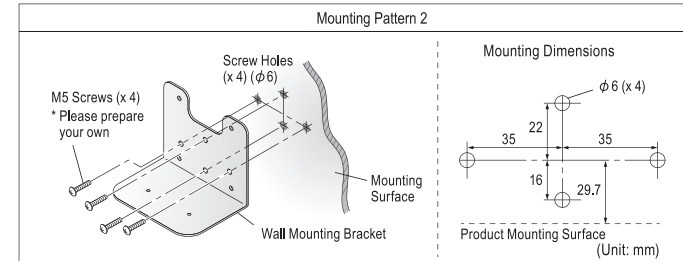
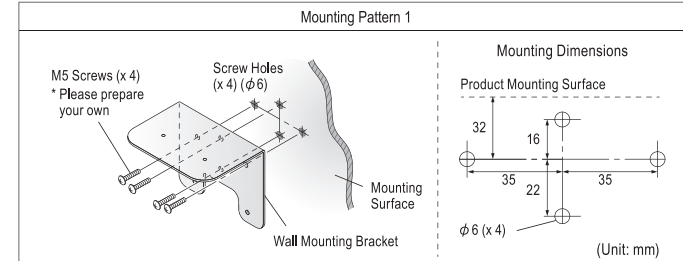
**CAUTION** Mount only in the directions and environments described in this manual. Failure to follow this instruction could result in product or equipment damage. If using this product for mounting, do not use the adhesive sheet included with the product you are mounting. Using the adhesive sheet with this product may obstruct proper tightening of the screws, or cause the screws to loosen over time. Ensure that the product is installed in an environment that meets the following conditions: • Where excessive vibration is not present. • On a flat, stable, and sturdy surface. Before mounting, turn off the power of the product you are mounting. Failure to follow this instruction could result in fire or electric shock. Use the recommended torque when attaching parts for installation. After installation, check to make sure the product is installed securely. Inspect periodically for any product damage or loosening of the mounting parts.

**Wall Mounting Bracket [NH-001]**

**1** Attach this product to a wall or a VESA compliant device.

**Mounting on a Wall**

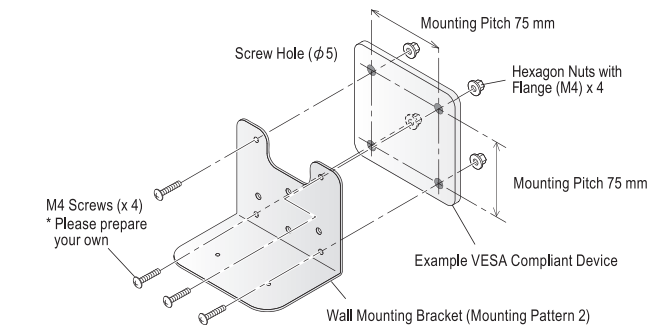
• Please prepare your own screws for mounting to the wall.  
 • You can mount this product on a wall using one of two patterns described below. The pitch of the mounting holes are different depending on the mounting direction. Refer to the mounting pitch shown below.  
 • Tighten the screws to match the torque recommended for the material of the wall surface.



**CAUTION** After drilling mounting holes, do not use the same area to drill new holes for a different mounting direction (Mounting Pattern 1 ↔ Pattern 2). The mounting strength may be insufficient if mounted in this condition.

**Attaching to a VESA Compliant Device**

• For information on mounting methods, refer to the instruction manual of your equipment.  
 • Use VESA compliant equipment with a load capacity of 6 kg or more.  
 • Mount this product using the mounting pattern as shown in the diagram below.



**2** Attach the product you are mounting to the bracket.

Secure this product and the product you are mounting with the product mounting screws.

Recommended Torque
Approximately 0.6 N·m

Product to Mount  
 \* Make sure product is mounted in the upright position.

Clearance of the Product Being Mounted

8 (Unit: mm)

Mounting Pattern 2

You can install the product you are mounting in either the left or right direction.

Mounted in right direction    Mounted in left direction

**Partition Mounting Bracket [NH-002]**

By using this product, you can install the product you are mounting on the top part of a partition. (A partition is a barrier that separates space and line of sight.) To install, follow the steps below.

**1** Secure this product and the product you are mounting with the product mounting screws.

Recommended Torque
Approximately 0.6 N·m

Product to Mount  
 \* Make sure product is mounted in the upright position.

Partition Mounting Bracket

Product Mounting Screws (x 2)

Bracket Mounting Hole

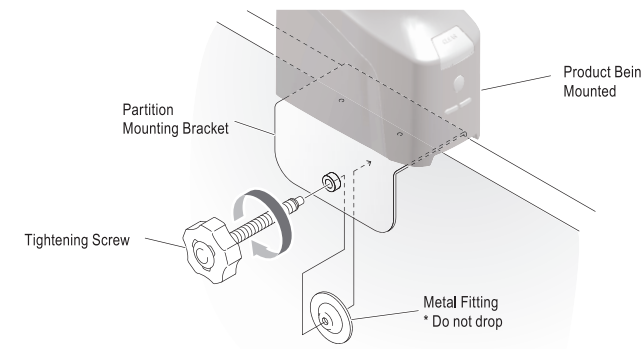
You can install the product you are mounting in either the left or right direction.

Mounted in Right Direction    Mounted in Left Direction

**2** After passing the tightening screw through the bracket, attach the metal fitting. Secure by turning the tightening screw clockwise.

Secure the product so it does not wobble.

**CAUTION** Do not overtighten the tightening screw. Failure to follow this instruction could result in damage to the partition or this product.



Selecting a Tightening Screw

Mounting Width 22 - 57 mm → Long Screw

Product Being Mounted

Partition Mounting Bracket

Partition

Tightening Screw (Long Screw)

Metal Fitting

Mounting Width 22 - 57 mm

Mounting Width 57 - 60 mm → Short Screw

Product Being Mounted

Partition Mounting Bracket

Partition

Tightening Screw (Short Screw)

Metal Fitting

Mounting Width 57 - 60 mm

**PATLITE Corporation** G2J

PATLITE Corporation ※Head office    ■ www.patlite.com/  
 PATLITE (U.S.A.) Corporation    ■ www.patlite.com/  
 PATLITE Europe GmbH ※Germany    ■ www.patlite.eu/  
 PATLITE (SINGAPORE) PTE LTD    ■ www.patlite-ap.com/  
 PATLITE (CHINA) Corporation    ■ www.patlite.cn/  
 PATLITE KOREA CO., LTD.    ■ www.patlite.co.kr/  
 PATLITE TAIWAN CO., LTD.    ■ www.patlite.tw/  
 PATLITE (THAILAND) CO., LTD.    ■ www.patlite.co.th/  
 PATLITE MEXICO S.A. de C.V.    ■ www.patlite.com.mx/