

Drawing No.	Rev.	Page
NE-USB-W18	A	1 / 4

SPECIFICATIONS

[General Specifications]

Product Name		USB Controlled Multicolor Signal Beacon	
Model		NE-SN-USB	NE-WN-USB
Rated Voltage		5V DC(USB Bus Power)	
Operating Voltage Range		Rated Voltage $\pm 5\%$ (Compliant with USB 2.0 standard)	
Rated Current Consumption	Max.	205mA	170mA
	Environmental Condition	Luminous Color: White Buzzer: Buzzer Pattern 「No.1 Continuous」,Volume Level「Max」	
Operating Ambient Temperature		-20°C to +50°C	-25°C to +60°C
Operating Ambient Humidity		Less than 90% (No condensation)	
Storage Ambient Temperature		-20°C to +50°C	-25°C to +60°C
Storage Ambient Humidity		Less than 90% (No condensation)	
Mounting Location		Indoor	
Mounting Direction		All Directions	All Directions (Upright only if waterproofness is necessary.)
Protection Rating		IP20	IP65
	Environmental Condition	All Directions	Upright (IP20 except for upright)
Insulation Resistance		More than 5Mohm at DC500V between live part and non-current carrying metallic part	
Withstand Voltage		500VAC for 1min between live part and non-current carrying metallic part without breaking insulation	
Buzzer	Sound Pressure Level	Typ. 65dB	Typ. 85dB
	Environmental Condition	Front direction from the surface/at 0.5m Buzzer Pattern 「No.2 Sweep Sound」	Front direction from the surface/at 1m Buzzer Pattern 「No.2 Sweep Sound」
	Volume change Levels	10 levels (None ... Max)	
Luminous Color		Red / Amber /Green / Blue / Cyan / Purple / White	
Mass (Tolerance $\pm 10\%$)		0.075 kg	0.068 kg
		(Without accessories)	
Outer Dimensions		Refer to the Outer Dimension Drawing	
Communication Method		USB2.0 Full Speed (Device Class: HID)	
Software Library(DLL) Supported OS		Windows(DLL) / Mac / Linux (Download from the Homepage)	
Conformity Standards		cUL (CSA C22.2 No.62368-1-14),UL (UL62368-1)	
		IC (ICES-003 Class B)	
		FCC (FCC Part15 Subpart B Class B)	
		CE EMC Directive (EN 55032,EN 55035)	
		REACH Regulation,CE RoHS Directive (EN IEC 63000)	
		KC(KS C 9832,KS C 9835)	
		EAC (TR CU 020),EAC (TR EAEU 037)	
		Electromagnetic Compatibility Regulations 2016(BS EN 55032, BS EN 55035)	
		The Restriction of the Use of Certain Hazardous Substances in Electrical and Electronic Equipment Regulations 2012(BS EN IEC 63000)	
Remarks		• Due to the characteristics of the LED elements, a variation in difference of the color tone and brightness of every product may occur.	

Drawing No.	Rev.	Page
NE-USB-W18	A	2 / 4

[Accessories]

Model	NE-SN-USB	NE-WN-USB
Accessories	Anti-slip Sheet	Waterproof Sheet

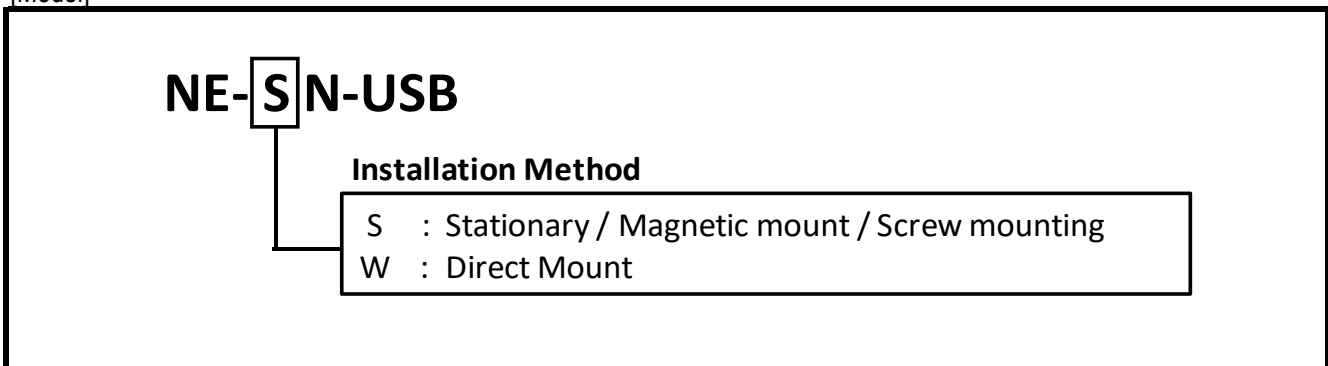
[Installation Method]

Model	NE-SN-USB	NE-WN-USB
Magnetic mount	○	×
Screw mounting(1/4 UNC thread)	○	×
2-point hole mounting	×	○
Option	NE-001D	×
	NE-002D	○
	SZP-092D	○

[Cable connection direction]

Model	NE-SN-USB	NE-WN-USB
Cable connection direction	Side	Bottom

[Model]



Drawing No.	Rev.	Page
NE-USB-W18	A	3 / 4

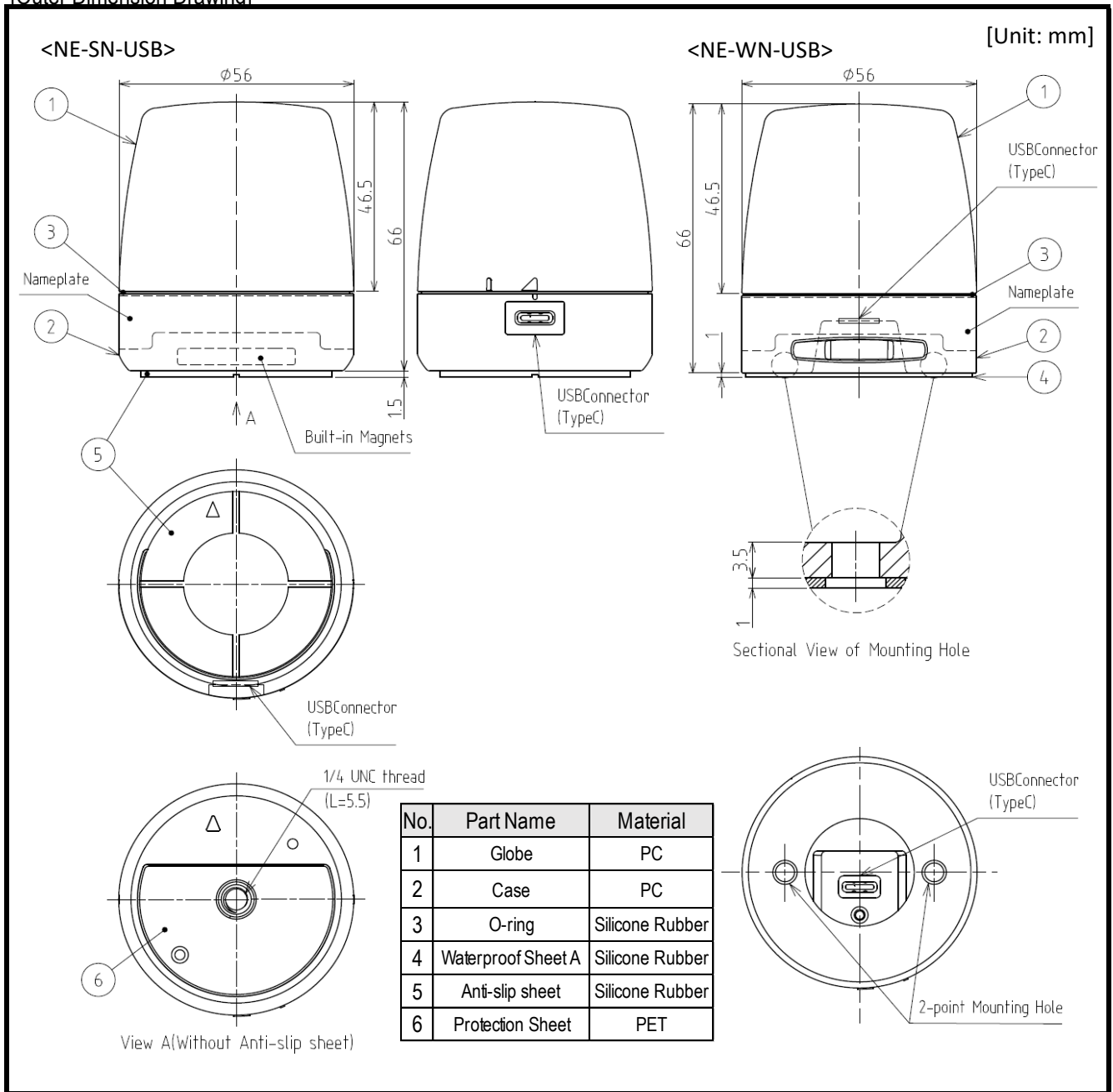
[LED Control]

Item	Detail				
LED OFF	Turns off the LED. This is the state immediately after power-on.				
Continuation LED ON	Turns the LED on, and keeps it on.				
LED Pattern ON	Specify one of 6 types of LED patterns to illuminate the LED. Operation of LED patterns for one cycle is shown in the following timing charts.				
No.1	<table border="1"> <tr> <td>ON (250ms)</td> <td>OFF (250ms)</td> <td>ON (250ms)</td> <td>OFF (250ms)</td> </tr> </table>	ON (250ms)	OFF (250ms)	ON (250ms)	OFF (250ms)
ON (250ms)	OFF (250ms)	ON (250ms)	OFF (250ms)		
No.2	<table border="1"> <tr> <td>ON (500ms)</td> <td>OFF (500ms)</td> </tr> </table>	ON (500ms)	OFF (500ms)		
ON (500ms)	OFF (500ms)				
No.3	<table border="1"> <tr> <td>ON (80ms)</td> <td>OFF (170ms)</td> <td>ON (80ms)</td> <td>OFF (670ms)</td> </tr> </table>	ON (80ms)	OFF (170ms)	ON (80ms)	OFF (670ms)
ON (80ms)	OFF (170ms)	ON (80ms)	OFF (670ms)		
No.4	<table border="1"> <tr> <td>ON (100ms)</td> <td>OFF (400ms)</td> <td>ON (100ms)</td> <td>OFF (400ms)</td> </tr> </table>	ON (100ms)	OFF (400ms)	ON (100ms)	OFF (400ms)
ON (100ms)	OFF (400ms)	ON (100ms)	OFF (400ms)		
No.5	<table border="1"> <tr> <td>ON (120ms)</td> <td>OFF (880ms)</td> </tr> </table>	ON (120ms)	OFF (880ms)		
ON (120ms)	OFF (880ms)				
No.6	<table border="1"> <tr> <td>Gradation (500ms)</td> <td>Gradation (500ms)</td> </tr> </table>	Gradation (500ms)	Gradation (500ms)		
Gradation (500ms)	Gradation (500ms)				

[Buzzer Control]

Item	Detail
Buzzer OFF	Turns off the Buzzer. This is the state immediately after power-on.
Buzzer Pattern ON	Specify one of 7 types of sound patterns to play the Buzzer. Select either continuous operation or specified number of times (1-14). One operation is one cycle.
No.1	Continuous Sound (Continuous)
No.2	Sweep Sound (Sweep Sound)
No.3	Rapid Intermittent Beep (Call Sign)
No.4	Rapid Intermittent Beep (Low Urgency Alarm) ※The sound complies with ISO 24501 (JIS S 0014).
No.5	Rapid Intermittent Beep (High Urgency Alarm) ※The sound complies with ISO 24501 (JIS S 0014).
No.6	Twinkle Twinkle Little Star (Melody Sound)
No.7	London Bridge is Broken Down (Melody Sound)

[Outer Dimension Drawing]



[Installation Dimension Drawing]

